

PARTS LIST

SCORPIO

BATTERY WELDING

CARRIAGE

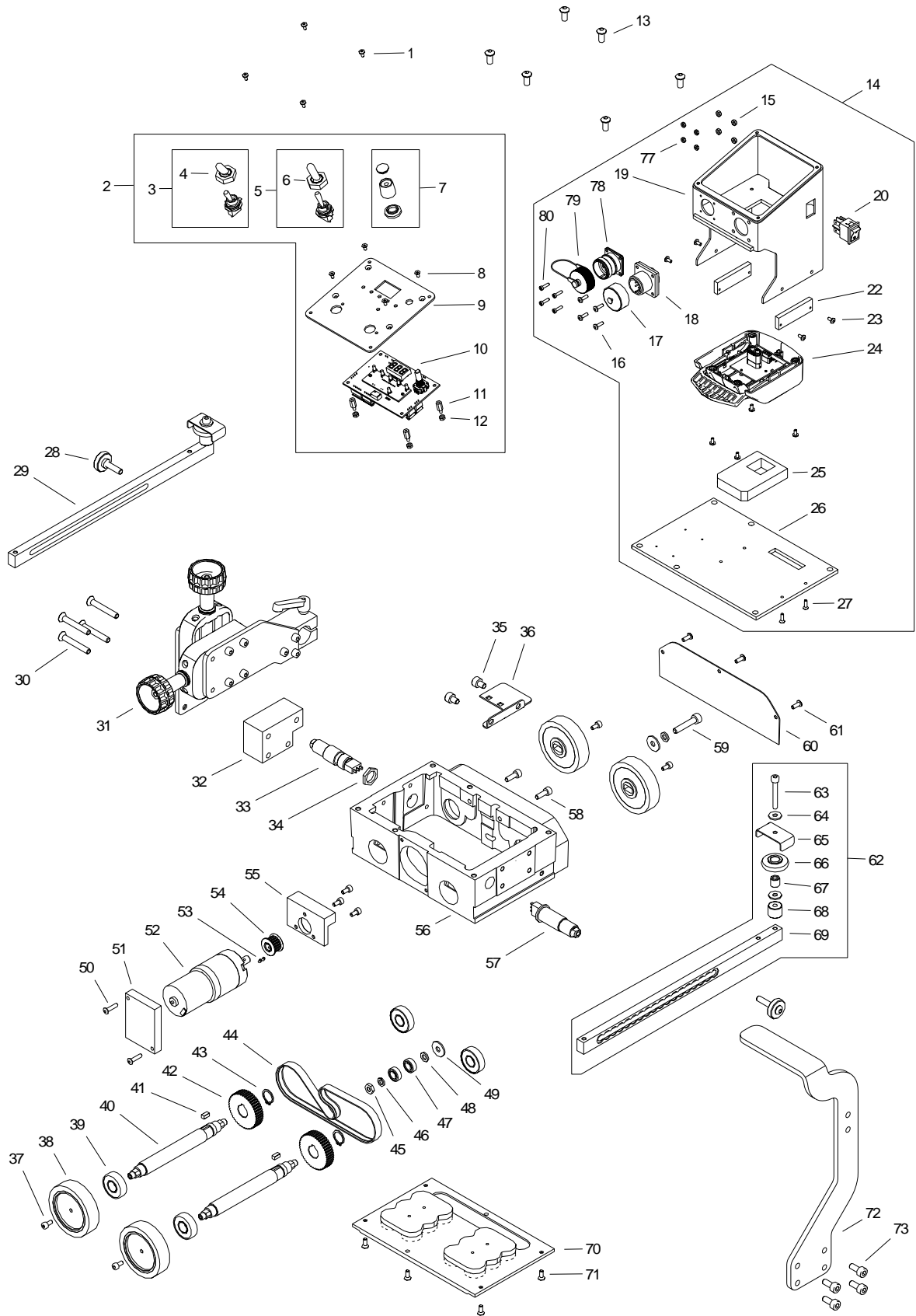


Unit 21 Empire Bus Pk, Burnley, Lancs, UK, BB12 6LT

Phone: +44 1706 229490

www.steelbeast.co.uk e-mail: sales@steelbeast.co.uk

ITEM	PART NUMBER	DESCRIPTION	Q-TY
1	SKR-0757-99-00-00-0	PLASTIC BOX	1
2	AKM-000089	BATTERY	2
3	KBL-0466-17-00-00-0	START-STOP ARC IGNITION CABLE 6.5 M (20 FT)	1
4	KLC-000007	HEX WRENCH 4 MM	1
5	KLC-000006	HEX WRENCH 3 MM	1
6	UCW-0757-09-00-00-0	SHORT TORCH HOLDER	1
7	WLK-0757-09-01-00-0	TORCH HOLDER SHAFT ASSY	1
8	RKJ-000036	HANDLEVER GN 300-45-M6-32-SW	1
9	TLJ-0419-04-02-03-0	INSULATION TUBE	1
10	ZRZ-0752-07-01-00-0	TORCH CLAMP	1
11	PKT-0752-07-01-03-0	CLAMP KNOB	1



ITEM	PART NUMBER	DESCRIPTION	Q-TY
1	WKR-000286	HEX SOCKET BUTTON HEAD SCREW M3x6	4
2	PNL-0757-04-00-00-0	CONTROL PANEL ASSY	1

This document is protected by copyrights.

Copying, using, or distributing without permission of JEI Drilling & Cutting Solutions Ltd is prohibited.

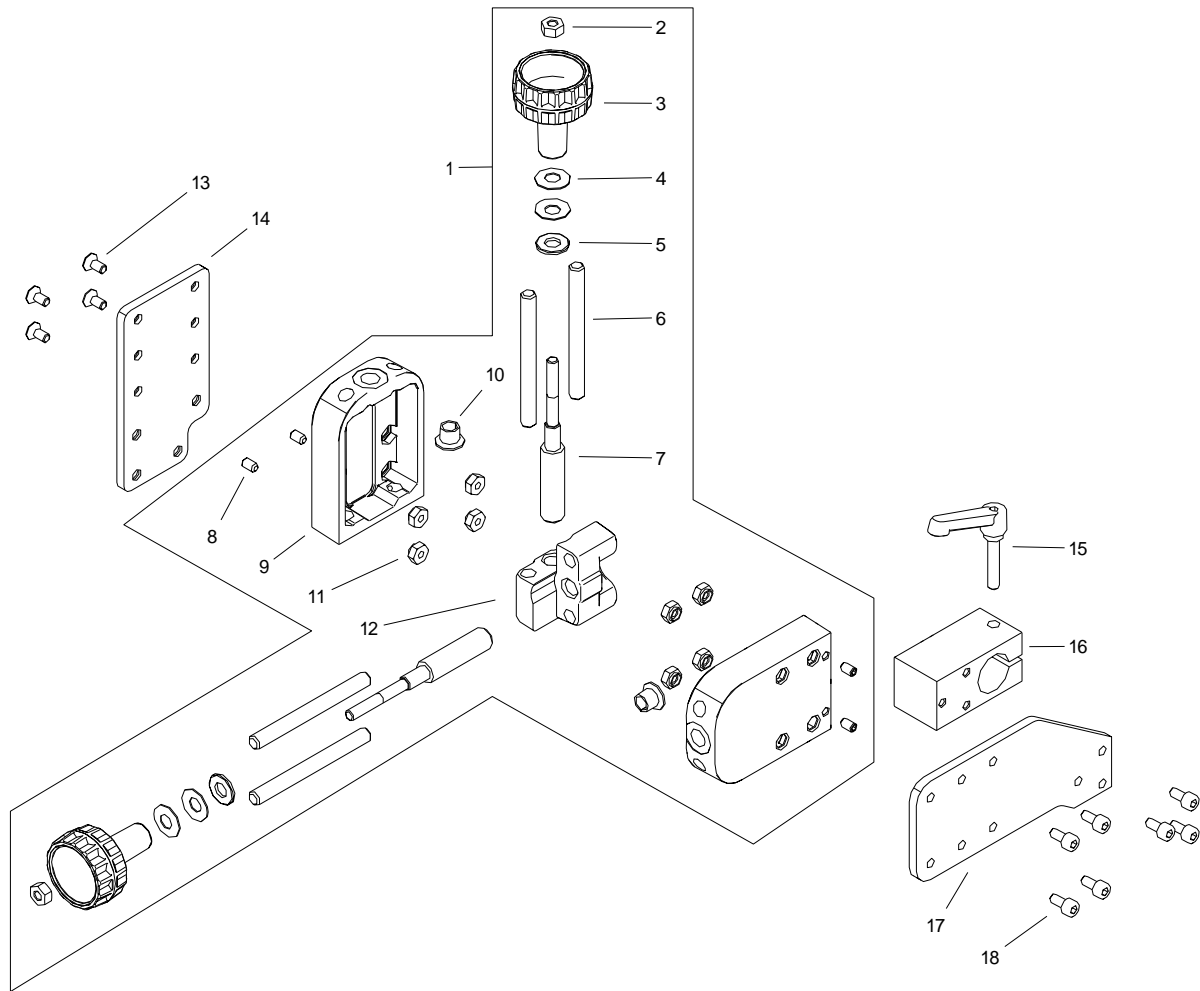
ITEM	PART NUMBER	DESCRIPTION	Q-TY
3	WZK-0757-04-03-00-0	ARC IGNITION WIRE SET	1
4	OSL-000036	LEVER SWITCH COVER	1
5	WZK-0757-04-02-00-0	TRAVEL DIRECTION WIRE SET	1
6	OSL-000036	LEVER SWITCH COVER	1
7	PKT-0757-99-00-00-0	KNOB 16 FOR MANDREL 6 MM	1
8	WKR-000349	HEX SOCKET COUNTERSUNK HEAD SCREW M3x6	4
9	PNL-0757-04-01-00-0	PANEL	1
10	MDL-0757-80-01-00-0	MODULE	1
11	TLJ-000188	SPACING SLEEVE	4
12	NKR-000010	HEX NUT M3	4
13	WKR-000290	HEX SOCKET BUTTON HEAD SCREW M6x12	6
14	PKR-0757-02-00-00-1	COVER ASSY	1
15	NKR-000010	HEX NUT M3	4
16	WKR-000287	HEX SOCKET BUTTON HEAD SCREW M3x10	4
17	NKR-000120	SAFETY NUT	1
18	WZK-0720-01-01-14-0	ARC IGNITION HARNESS	1
19	KRP-0757-02-01-00-1	CONTROL PANEL BODY ASSY	1
20	PNK-000059	POWER SWITCH	1
21	OSL-000219	SWITCH COVER	1
22	LCZ-0757-02-03-00-0	MOUNTING PLATE	2
23	WKR-000286	HEX SOCKET BUTTON HEAD SCREW M3x6	8
24	GNZ-0734-01-05-00-0	BATTERY SOCKET	1
25	USZ-0688-17-00-00-0	SEAL	1
26	PNL-0757-02-02-00-0	BOTTOM PLATE	1
27	WKR-000261	HEX SOCKET COUNTERSUNK HEAD SCREW M3x10	4
28	SRB-0466-10-00-00-0	GUIDE ARM SCREW	2
29	PRW-0752-09-00-00-0	GUIDE ASSY	1
30	WKR-000488	HEX SOCKET COUNTERSUNK HEAD SCREW M6x40	4
31	UKL-0757-07-00-00-0	TORCH ADJUSTMENT UNIT	1
32	DYS-0757-08-00-00-0	DISTANCE BLOCK	1
33	757.01.11.00.0	LEFT LIMIT SWITCH	1
34	NKR-000115	NUT NDM-16M	1
35	SRB-000291	HEX SOCKET HEAD CAP SCREW M6x8	2
36	UCW-0757-01-12-00-0	CABLE HOLDER	1
37	SRB-000074	HEX SOCKET HEAD CAP SCREW M4x8	7
38	KOL-0752-01-04-00-0	DRIVE WHEEL ASSY	4
39	LOZ-000038	BALL BEARING 12x28x8	4
40	WLK-0757-01-02-00-0	SHAFT	2
41	WPS-000082	PARALLEL KEY 4x4x8	2
42	KOL-0757-01-04-00-0	GEAR II z=44	2
43	PRS-000004	EXTERNAL RETAINING RING 14z	2
44	PAS-000038	TOOTHED BELT	1
45	NKR-000035	LOW HEX NUT M6	1
46	PDK-000046	SPRING WASHER 6.1	1
47	LOZ-000110	BALL BEARING 6x15x5	2
48	PDK-000136	SMALL ROUND WASHER 6.4	2
49	PDK-000037	ROUND WASHER 6.5	2
50	WKR-000095	HEX SOCKET BUTTON HEAD SCREW M4x16	2
51	OSL-0757-01-03-00-0	ENCODER COVER	1
52	MTR-0757-01-08-00-0	MOTORGear ASSY	1
53	WKR-000393	HEX SOCKET SET SCREW WITH FLAT POINT M3x4	2
54	KOL-0757-01-06-00-0	GEAR z=18	1

This document is protected by copyrights.

Copying, using, or distributing without permission of JEI Drilling & Cutting Solutions Ltd is prohibited.

ITEM	PART NUMBER	DESCRIPTION	Q-TY
55	KRP-0757-01-05-00-0	MOTORGear BRACKET	1
56	KRP-0757-01-01-00-0	BODY	1
57	757.01.10.00.0	RIGHT LIMIT SWITCH	1
58	SRB-000082	HEX SOCKET HEAD CAP SCREW M5x14	2
59	SRB-000118	HEX SOCKET HEAD CAP SCREW M6x30	1
60	OSL-0466-09-00-00-0	WHEEL COVER	1
61	WKR-000092	HEX SOCKET BUTTON HEAD SCREW M4x10	3
62	PRW-0752-08-00-00-0	RIGHT GUIDE ASSY	1
63	SRB-000091	HEX SOCKET HEAD CAP SCREW M5x35	1
64	PDK-000036	ROUND WASHER 5.5	2
65	OSL-0466-06-02-00-0	ROLLER COVER	1
66	RLK-0221-01-19-00-0	ROLLER	1
67	TLJ-0419-06-03-00-0	ROLLER SLEEVE	1
68	TLJ-0456-05-02-00-0	GUIDE ASSY SLEEVE	1
69	PRW-0752-08-01-00-0	GUIDE ASSY	1
70	BLO-0757-01-07-00-0	MAGNET PLATE ASSY	1
71	WKR-000130	HEX SOCKET COUNTERSUNK HEAD SCREW M4x10	6
72	UCW-0757-05-00-00-0	HANDLE	1
73	SRB-000105	HEX SOCKET HEAD CAP SCREW M6x14	4
74*	WZK-0757-01-09-00-0	MOTOR WIRE SET	1
75*	WZK-0757-02-04-00-0	POWER SWITCH WIRE SET	1
76*	WZK-0757-02-05-00-0	MODULE WIRE SET	1
77	NKR-000221	HEX NUT M2.5	4
78	WZK-0757-02-06-00-0	OSCILLATION MODULE WIRE SET	1
79	PKR-000155	SAFETY NUT	1
80	SRB-000401	TORX SOCKET HEAD CAP SCREW M2.5x10	4

*not shown in the drawing



ITEM	PART NUMBER	DESCRIPTION	Q-TY
1	ZSP-0466-14-00-00-0	SLIDE GUIDE ASSY	1
2	NKR-000017	HEX NUT M6	2
3	PKT-0466-14-02-00-0	KNOB	2
4	SPR-000013	DISC SPRING 8,2x18x0,7	4
5	PDK-000072	ROUND WASHER 8.4	2
6	KLK-000118	DOWEL PIN 8m6x80	4
7	SRB-0466-03-01-02-1	LEAD SCREW	2
8	WKR-000026	HEX SOCKET SET SCREW WITH FLAT POINT M5x8	4
9	KRP-0466-14-01-00-0	GUIDE BODY	2
10	TLJ-000089	SLIDE BUSHING 8x10x1x9,5	2
11	NKR-000166	NUT S-HX M5-16	8
12	KST-0466-14-03-00-0	SLIDING BLOCK	1
13	WKR-000133	HEX SOCKET COUNTERSUNK HEAD SCREW M5x10	4
14	WSP-0757-07-01-00-0	SLIDE GUIDE SUPPORT	1
15	RKJ-000036	HANDLEVER GN 300-45-M6-32-SW	1
16	KST-0752-06-00-00-0	PLATE BLOCK	1
17	WSP-0757-07-02-00-0	PLATE BLOCK SUPPORT	1
18	SRB-000075	HEX SOCKET HEAD CAP SCREW M5x10	7

WIRING DIAGRAM

