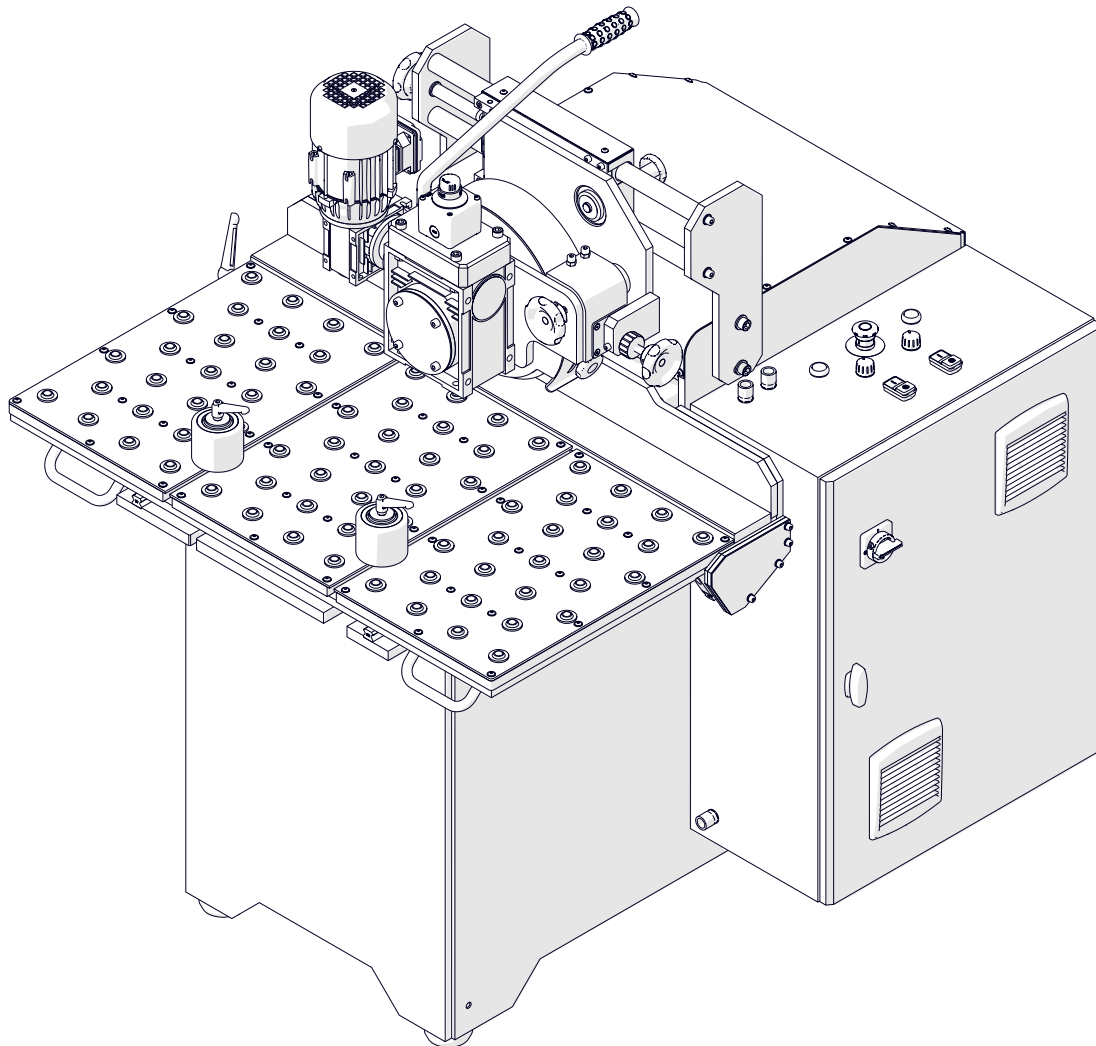


Parts list

SBM-500

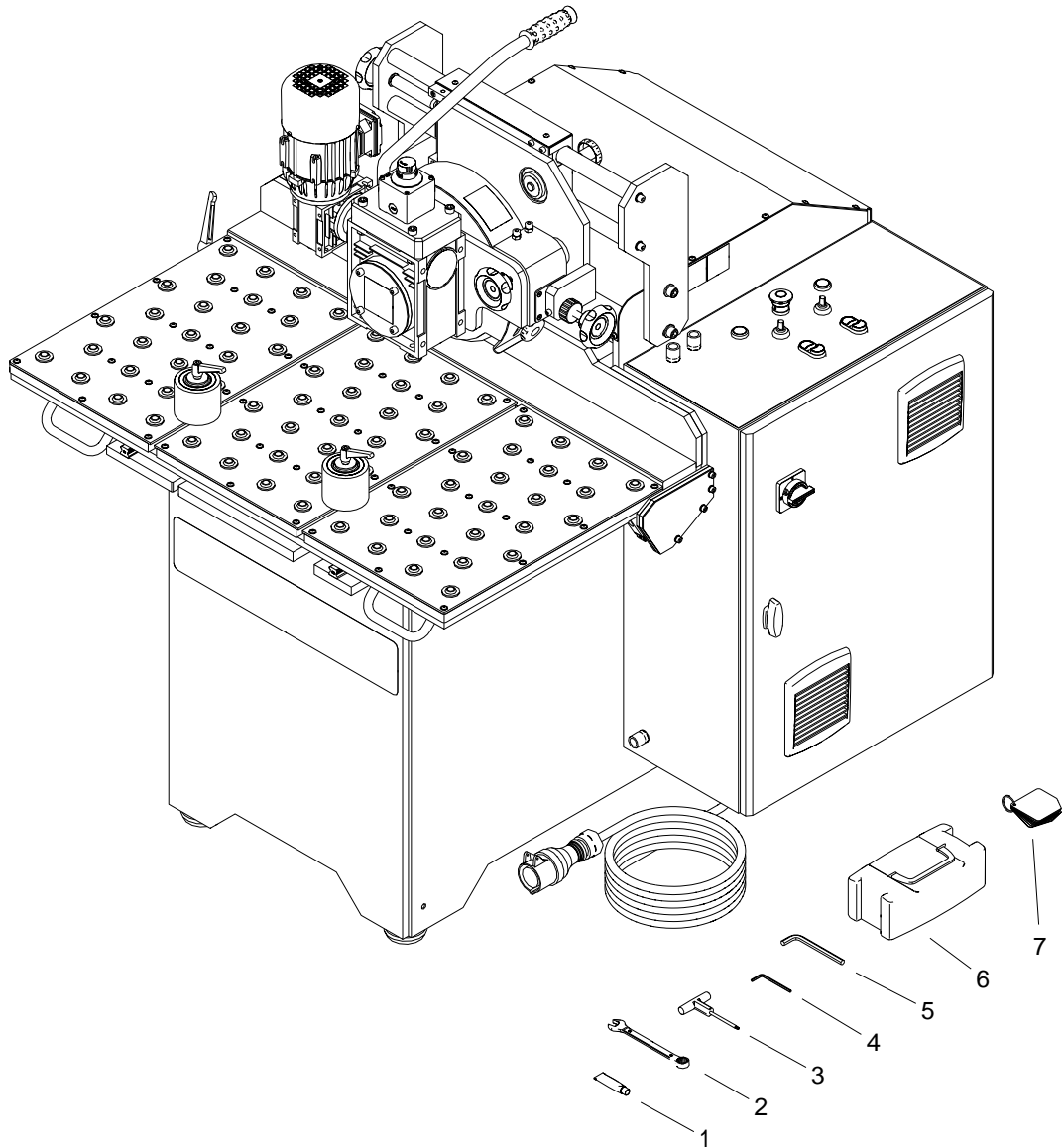
STATIONARY BEVELLING MACHINE



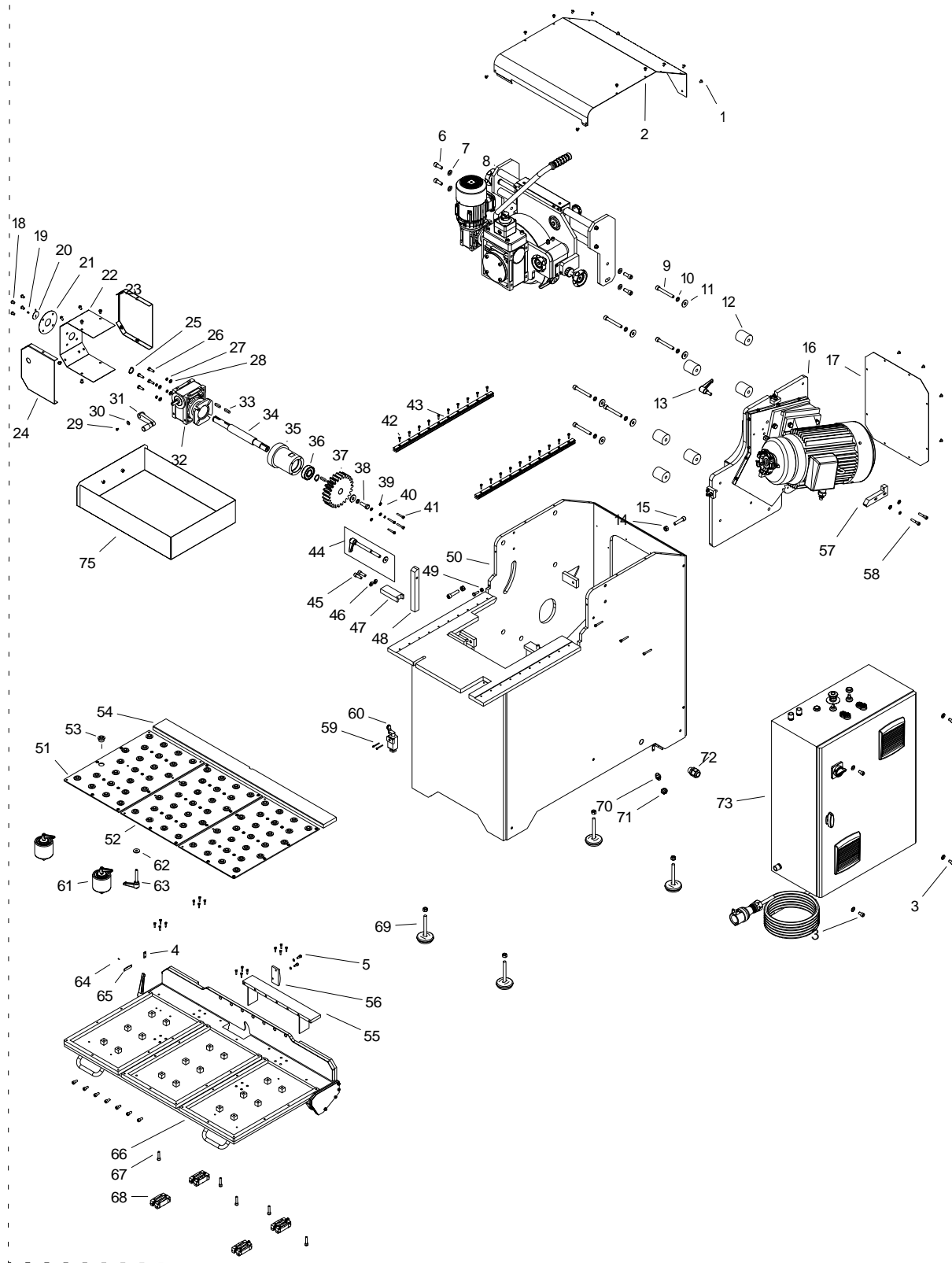
Unit 21 Empire Business Park, Enterprise Way, Burnley, Lancashire, BB12 6LT

Tel: 01706 229490 Fax: 01706 507347

www.steelbeast.co.uk Email: sales@jeisolutions.co.uk



ITEM	PART NUMBER	DESCRIPTION	Q-TY
1	SMR-000005	GREASE FOR SCREWS 5g	1
2	KLC-000061	14 MM COMBINATION WRENCH	1
3	KLC-000066	T15 WRENCH WITH HANDLE	1
4	KLC-000065	3.5 MM HEX WRENCH	1
5	KLC-000011	8 MM HEX WRENCH	1
6	PJM-000010	TOOL CONTAINER	1
7	ZST-0573-42-00-00-0	BEVEL HEIGHT ADJUSTER	1

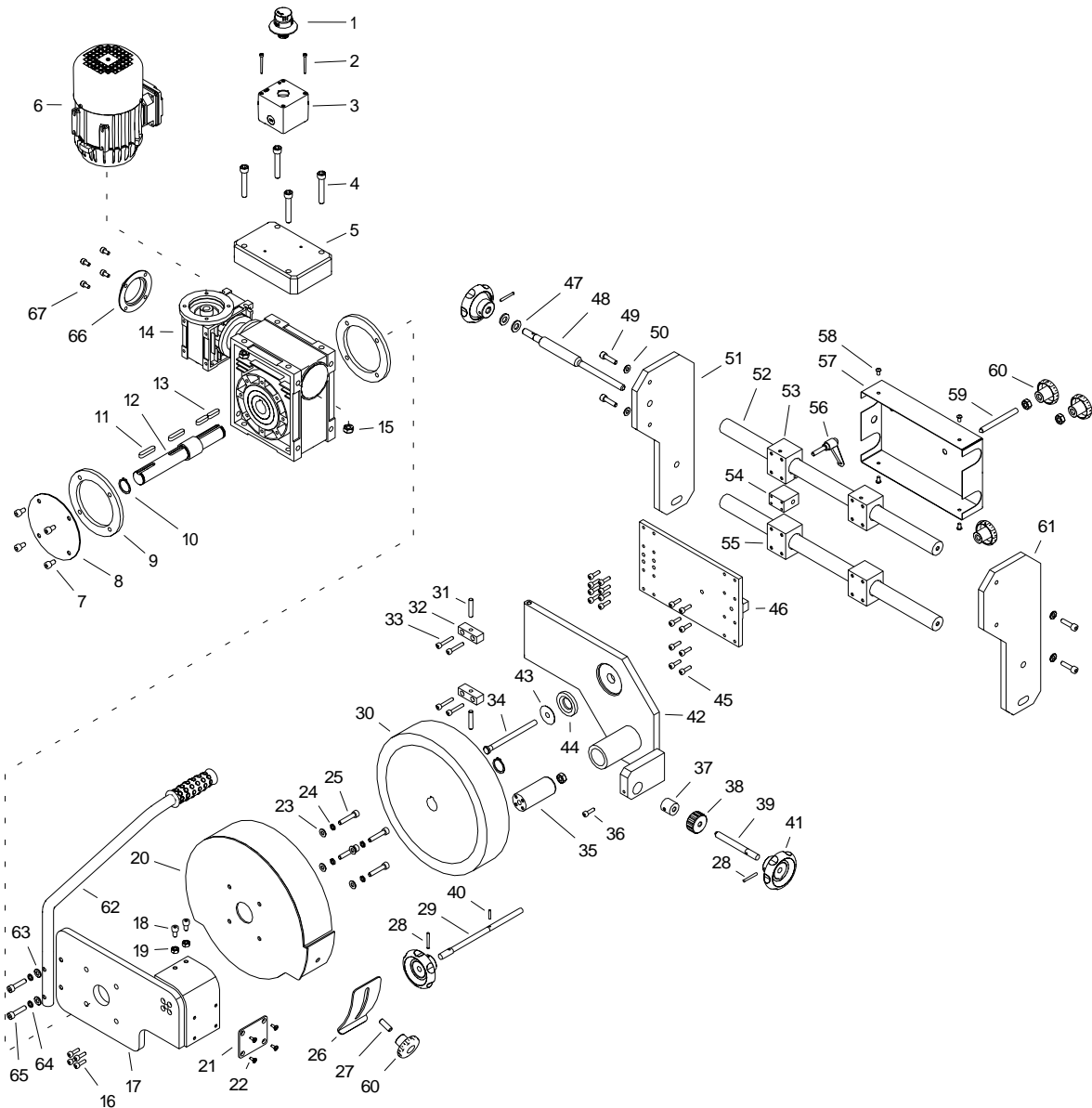


ITEM	PART NUMBER	DESCRIPTION	Q-TY
1	WKR-000336	HEX SOCKET ROUND HEAD SCREW WITH FLANGE M6x10	65
2	OSL-0573-16-00-00-1	TOP COVER	1
3	SRB-000044	HEX SOCKET HEAD CAP SCREW M10x16	4
4	UST-0573-43-00-00-0	BASE ADJUSTER	1
5	SRB-000106	HEX SOCKET HEAD CAP SCREW M6x16	2

ITEM	PART NUMBER	DESCRIPTION	Q-TY
6	SRB-000053	HEX SOCKET HEAD CAP SCREW M12x30	4
7	PDK-000118	ROUND WASHER 13	4
8	ZSP-0573-04-00-00-0	FEED ASSY	1
9	SRB-000241	HEX SOCKET HEAD CAP SCREW M12x90	6
10	PDK-000053	SPRING WASHER 12.2	7
11	PDK-000103	ROUND WASHER 13	7
12	WSP-0573-12-00-00-0	FEED ASSY SUPPORT	6
13	RKJ-000056	HANDLEVER M12-25	1
14	NKR-000003	HEX NUT M12	8
15	SRB-000214	HEX SOCKET HEAD CAP SCREW M12x50	4
16	ZSP-0573-02-00-00-0	MILLING SET ASSY	1
17	PKR-0573-07-00-00-0	COVER	1
18	WKR-000366	HEX SOCKET BUTTON HEAD SCREW M8x12	12
19	WKR-000292	HEX SOCKET BUTTON HEAD SCREW M4x6	2
20	WSK-0573-19-00-00-0	INDICATOR	1
21	TRC-0573-18-00-00-0	ANGLE PLATE	1
22	OSL-0573-21-00-00-0	GEARBOX COVER	1
23	OSL-0573-22-00-00-0	LEFT GEARBOX COVER ASSY	1
24	OSL-0573-23-00-00-0	RIGHT GEARBOX COVER ASSY	1
25	PRS-000017	EXTERNAL RETAINING RING 25z	2
26	SRB-000028	FULL THREAD HEX HEAD SCREW M8x25	5
27	PDK-000051	SPRING WASHER 8.2	6
28	PDK-000022	ROUND WASHER 8.4	6
29	WKR-000058	HEX SOCKET SET SCREW WITH FLAT POINT M6x8	1
30	PDK-000037	ROUND WASHER 6.5	1
31	KBA-0573-17-00-00-0	WINCH ASSY	1
32	RDK-000010	WORM GEARBOX	1
33	WPS-000086	PARALLEL KEY 8x7x32	3
34	WLK-0573-14-00-00-0	SHAFT	1
35	OPR-0573-13-00-00-0	BEARING HOLDER	1
36	LOZ-000150	BALL BEARING 25x62x17	1
37	KOL-0573-15-00-00-0	GEAR z24	1
38	SRB-000195	FULL THREAD HEX HEAD SCREW M12x35	1
39	PDK-000021	ROUND WASHER 6.4	6
40	PDK-000046	SPRING WASHER 6.1	6
41	SRB-000123	HEX SOCKET HEAD CAP SCREW M6x35	4
42	SRB-000083	HEX SOCKET HEAD CAP SCREW M5x16	36
43	SNA-000041	GUIDE	2
44	SRB-0573-29-00-00-0	LOCKING BOLT ASSY	1
45	SRB-000047	HEX SOCKET HEAD CAP SCREW M10x30	2
46	PDK-000026	ROUND WASHER 10.5	6
47	WSP-0573-28-00-00-0	CLAMPING BLOCK SUPPORT	1
48	LPA-0573-27-00-00-0	CLAMPING BLOCK	1
49	NKR-000019	HEX NUT M8	1
50	KRP-0573-01-00-00-0	FRAME	1
51	OSL-0573-10-00-00-0	SIDE TABLE COVER	2
52	OSL-0573-11-00-00-0	CENTER TABLE COVER	1
53	RLK-000002	ROLLER	75
54	BZA-0573-08-00-00-0	HORIZONTAL BASE PLATE	1

ITEM	PART NUMBER	DESCRIPTION	Q-TY
55	ZBR-0573-03-16-00-0	VERTICAL BASE RIB ASSY	1
56	KRZ-0573-32-00-00-0	COLLISION PREVENTION CAM	1
57	ZDR-0573-33-00-00-0	COLLISION PREVENTION BUMPER	1
58	SRB-000157	HEX SOCKET HEAD CAP SCREW M8x40	2
59	WKR-000452	CROSS RECESSED PAN HEAD SCREW M4x35	2
60	LCZ-000037	LIMIT SWITCH	1
61	RLK-0573-20-00-00-0	ROLLER ASSY	2
62	PDK-000109	ROUND WASHER 10.5	1
63	RKJ-000052	HANDLEVER M10-63	1
64	NIT-000010	RIVET 2x6	4
65	LNL-0573-09-00-00-0	STRAIGHTEDGE	1
66	STL-0573-03-00-00-0	TABLE ASSY	1
67	SRB-000156	HEX SOCKET HEAD CAP SCREW M8x35	5
68	PRW-000068	CARRIAGE	4
69	STP-000002	BRACKET D75	4
70	ZLC-000160	CABLE GLAND	1
71	NKR-000084	LOW HEX NUT M16x1.5	1
72	ZLC-000153	CABLE GLAND	1
73	SZF-0573-05-00-00-0	CONTROL BOX ASSY	1
74	ZBN-0573-06-00-00-0	CHIP CONTAINER ASSY	1
75*	KBL-0573-31-00-00-0	SPINDLE MOTOR WIRE SET	1

*not shown in the drawing



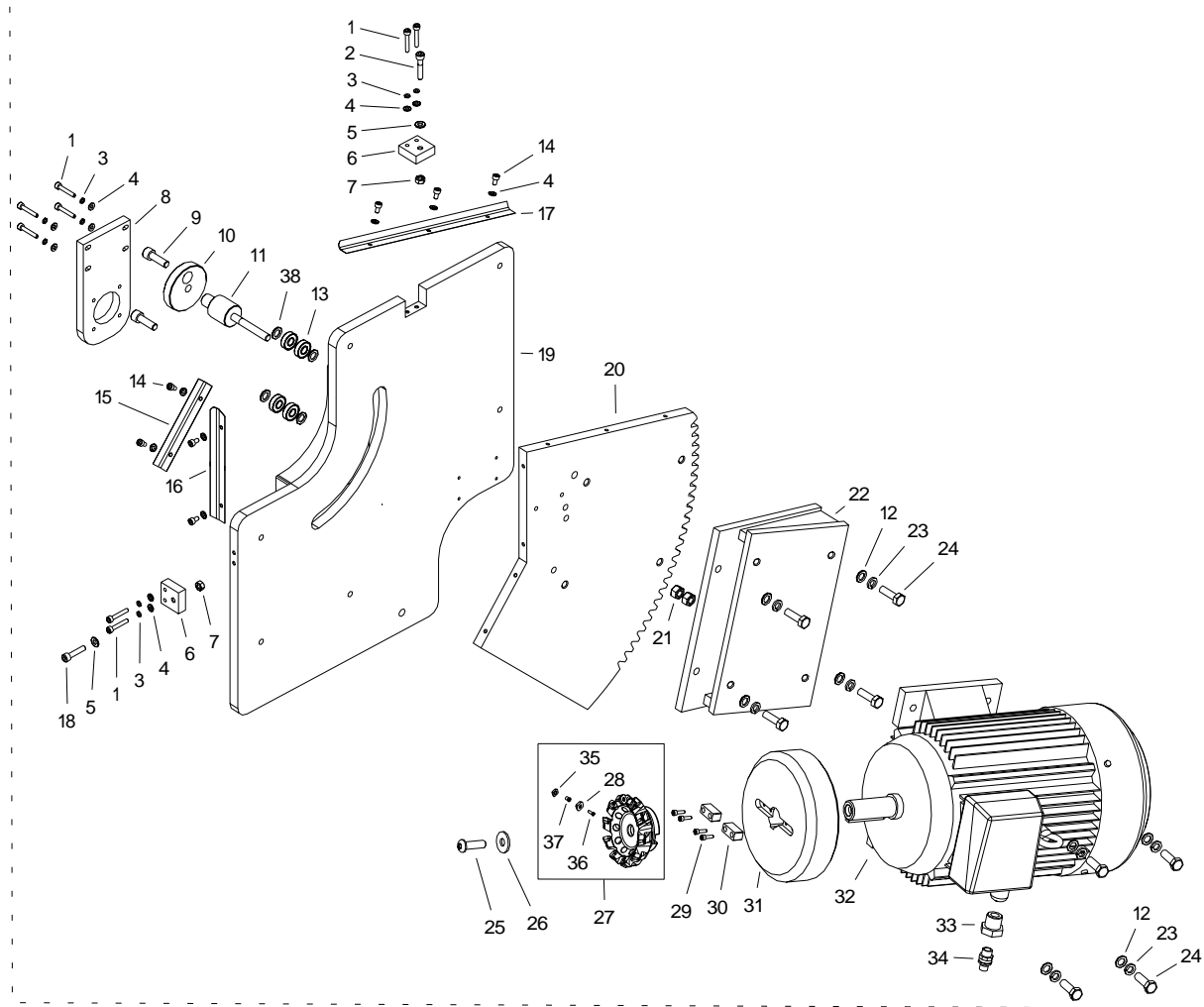
ITEM	PART NUMBER	DESCRIPTION	Q-TY
1	PRC-000029	EMERGENCY SWITCH	1
2	SRB-000067	HEX SOCKET HEAD CAP SCREW M4x40	2
3	PSZ-000005	JUNCTION BOX	1
4	SRB-000051	HEX SOCKET HEAD CAP SCREW M10x60	4
5	OBC-0573-04-19-00-0	WEIGHT	1
6	SLN-000206	MOTOR	1
7	SRB-000141	HEX SOCKET HEAD CAP SCREW M8x14	4
8	OSL-0573-04-22-00-0	GEARBOX COVER	1
9	DYS-0573-04-21-00-0	GEARBOX COVER RING	2
10	PRS-000019	EXTERNAL RETAINING RING 28z	2
11	WPS-000045	KEY 8x7x40	2
12	WLK-0573-04-16-00-0	SHAFT	1
13	WPS-000077	KEY 8x7x30	2
14	RDK-000016	GEARBOX	1
15	NKR-000002	NUT M10	7
16	SRB-000114	HEX SOCKET HEAD CAP SCREW M6x20	4

ITEM	PART NUMBER	DESCRIPTION	Q-TY
17	PLY-0573-04-08-00-0	GEARBOX PLATE ASSY	1
18	SRB-000141	HEX SOCKET HEAD CAP SCREW M8x14	2
19	NKR-000019	HEX NUT M8	2
20	OSL-0573-04-24-00-0	WHEEL COVER ASSY	1
21	BLC-0573-04-27-00-0	PLATE	1
22	WKR-000134	HEX SOCKET COUNTERSUNK HEAD SCREW M5x12	4
23	PDK-000022	ROUND WASHER 8.4	4
24	PDK-000051	SPRING WASHER 8.2	4
25	SRB-000157	HEX SOCKET HEAD CAP SCREW M8x40	4
26	PON-0573-04-25-00-0	COVER LOCKING PLATE	1
27	PRT-0573-04-26-01-0	WHEEL COVER ROD	1
28	KLK-000111	DOWEL PIN 5n6x36	3
29	SRB-0573-04-13-00-0	DEPTH SETTING BOLT	1
30	KOL-0573-04-30-00-0	WHEEL	1
31	KLK-000073	DOWEL PIN 8n6x40	2
32	WSP-0573-04-18-00-0	ANGLE SETTING PLATE SUPPORT	2
33	SRB-000123	HEX SOCKET HEAD CAP SCREW M6x35	4
34	SRB-0573-04-12-00-0	ANGLE LOCKING BOLT	1
35	WLK-0573-04-10-00-0	SHAFT	1
36	SRB-000114	HEX SOCKET HEAD CAP SCREW M6x20	1
37	NKR-0573-04-23-00-0	NUT	1
38	NKR-0573-04-20-00-0	PLASTIC NUT	1
39	SRB-0573-04-15-00-0	WHEEL HEIGHT SETTING BOLT	1
40	KLK-000014	SPRING PIN 4x20	1
41	PKT-0573-03-08-00-0	KNOB	3
42	PLY-0573-04-09-00-0	ANGLE SETTING PLATE ASSY	1
43	TRC-573-04-06-00-0	CAP	1
44	PDK-0573-04-07-00-0	SPHERICAL WASHER	1
45	SRB-000114	HEX SOCKET HEAD CAP SCREW M6x20	16
46	PLY-0573-04-05-00-1	PLATE ASSY	1
47	PDK-000118	ROUND WASHER 13	2
48	SRB-0573-04-28-00-0	BOLT	1
49	SRB-000155	HEX SOCKET HEAD CAP SCREW M8x30	4
50	PDK-000022	ROUND WASHER 8.4	4
51	WSP-0573-04-31-00-0	LEFT SUPPORT PLATE	1
52	PRT-0573-04-02-00-0	FEED SHAFT	2
53	MCW-0573-04-04-00-0	MOUNTING BLOCK - LOCK	1
54	NKR-0573-04-32-00-0	NUT	1
55	MCW-0573-04-03-00-0	MOUNTING BLOCK	3
56	RKJ-000013	HANDLEVER M8-32	1
57	OSL-0573-04-17-00-0	COVER	1
58	WKR-000100	HEX SOCKET BUTTON HEAD SCREW M6x10	4
59	SRB-0573-04-14-00-0	ANGLE SETTING BOLT	1
60	PKT-000032	KNOB D50	4
61	WSP-0573-04-01-00-0	SUPPORT PLATE	1
62	RKJ-0573-04-33-00-0	LEVER ASSY	1
63	PDK-000022	ROUND WASHER 8.4	2
64	PDK-000051	SPRING WASHER 8.2	2
65	SRB-000156	HEX SOCKET HEAD CAP SCREW M8x35	2
66	PKR-000124	COVER PCV 40	1
67	SRB-000102	HEX SOCKET HEAD CAP SCREW M6x12	4
68*	KBL-0573-04-34-00-0	FEED MOTOR CABLE	1

This document is protected by copyrights.

Copying, using, or distributing without permission of JEI Group Ltd is prohibited.

*not shown in the drawing

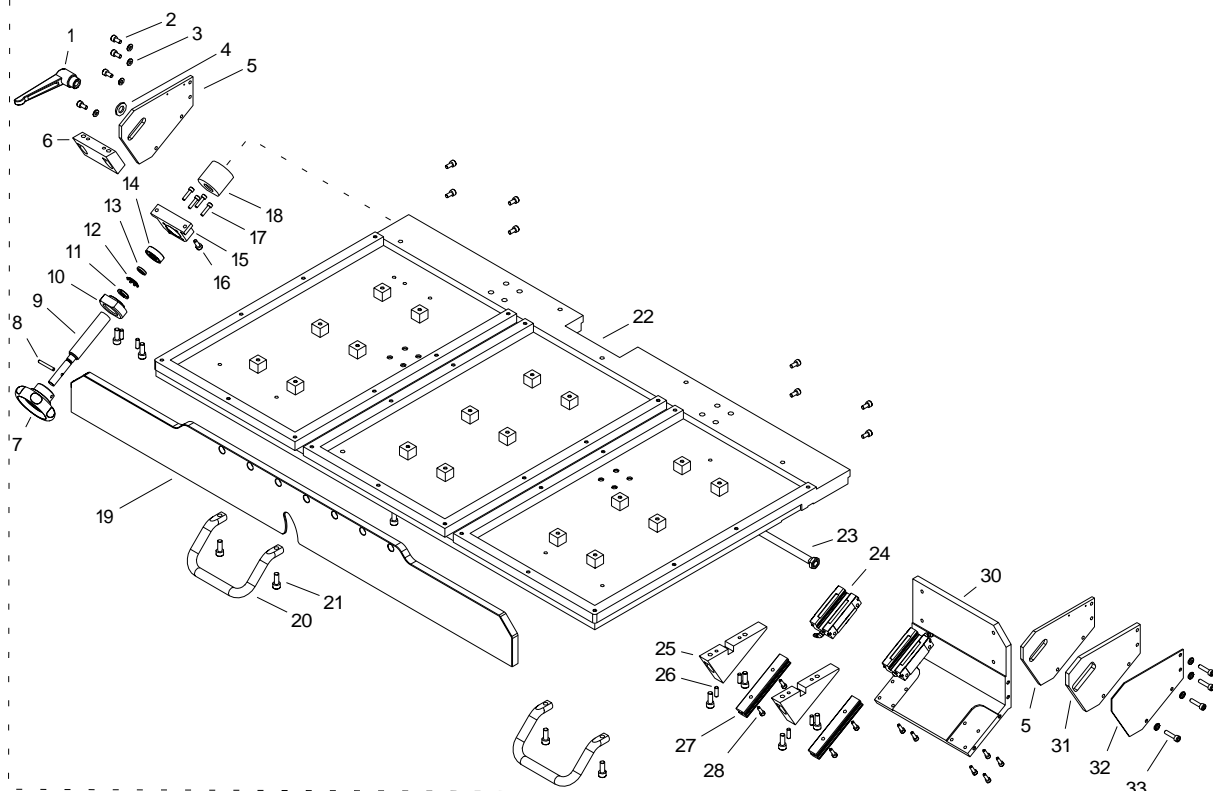


ITEM	PART NUMBER	DESCRIPTION	Q-TY
1	SRB-000123	HEX SOCKET HEAD CAP SCREW M6x35	8
2	SRB-000157	HEX SOCKET HEAD CAP SCREW M8x40	1
3	PDK-000046	SPRING WASHER 6.1	8
4	PDK-000021	ROUND WASHER 6.4	15
5	PDK-000022	ROUND WASHER 8.4	2
6	BLD-0573-02-12-00-0	ANGLE LOCK PLATE	2
7	NKR-000019	HEX NUT M8	2
8	WSP-0573-02-07-00-0	GEAR SUPPORT	1
9	SRB-000308	HEX SOCKET HEAD CAP SCREW M12x35	2
10	KZK-0573-02-14-00-0	LOCKING PUCK	1
11	WLK-0573-02-15-00-0	LOCKING SHAFT	1
12	PDK-000118	ROUND WASHER 13	8
13	LOZ-000038	BALL BEARING 12x28x8	4
14	SRB-000101	HEX SOCKET HEAD CAP SCREW M6x10	7
15	ZGR-0573-02-10-00-0	CHIPS DRIFT FENDER II	1
16	ZGR-0573-02-09-00-0	CHIPS DRIFT FENDER I	1
17	ZGR-0573-02-08-00-0	TOP CHIPS DRIFT FENDER	1
18	SRB-000156	HEX SOCKET HEAD CAP SCREW M8x35	1
19	PLY-0573-02-04-00-0	MOUNTING PLATE ASSY	1
20	PLY-0573-02-03-00-0	MOVING PLATE	1
21	NKR-000003	HEX NUT M12	2

This document is protected by copyrights.

Copying, using, or distributing without permission of JEI Group Ltd is prohibited.

ITEM	PART NUMBER	DESCRIPTION	Q-TY
22	WSP-0573-02-05-00-1	MOTOR SUPPORT	1
23	PDK-000053	SPRING WASHER 12.2	8
24	SRB-000195	FULL THREAD HEX HEAD SCREW M12x35	8
25	WKR-000509	HEX SOCKET BUTTON HEAD SCREW M12x40	1
26	PDK-000103	ROUND WASHER 13	1
27	GLW-000030	MILLING CUTTER	1
28	PLY-000396	MILLING CUTTER INSERT	10
29	SRB-000083	HEX SOCKET HEAD CAP SCREW M5x16	4
30	WPS-0573-02-02-00-0	KEY	2
31	TRC-0573-02-01-00-0	MOTOR PLATE	1
32	SLN-000200	MOTOR 400V	1
33	PRZ-0573-02-06-00-0	NIPPLE	1
34	ZLC-000160	CABLE GLAND	1
35	PLY-000439	SHIM	10
36	SRB-000417	CLAMP SCREW	10
37	SRB-000418	SHIM SCREW	10
38	PDK-000164	ROUND WASHER 12x18x1	4



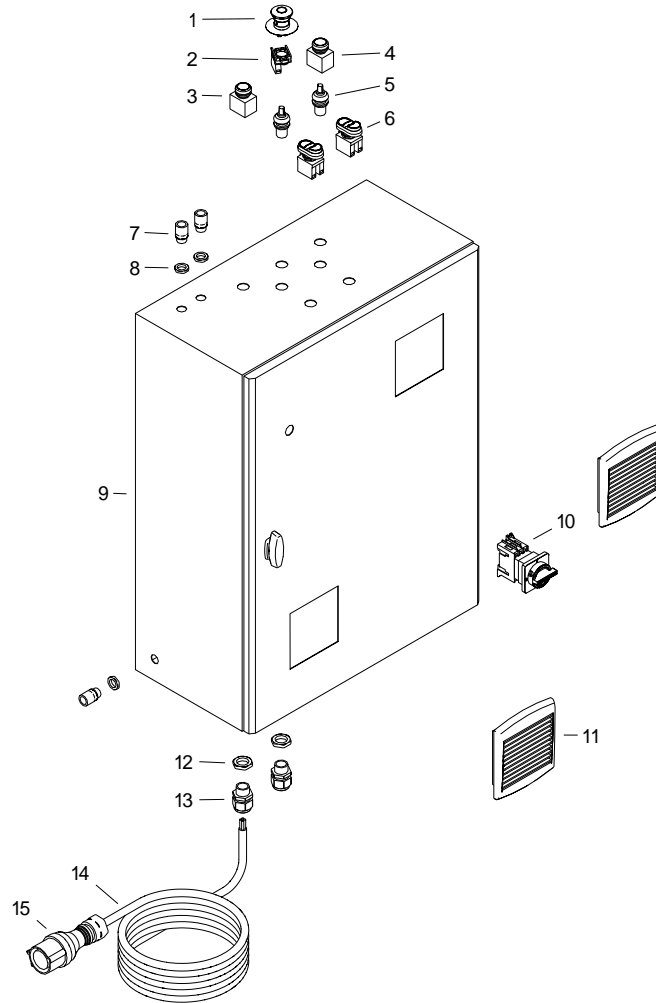
ITEM	PART NUMBER	DESCRIPTION	Q-TY
1	RKJ-000067	HANDLEVER M12	1
2	SRB-000103	HEX SOCKET HEAD CAP SCREW M6x12	12
3	PDK-000021	ROUND WASHER 6.4	8
4	PDK-000118	ROUND WASHER 13	1
5	WSP-0573-03-12-00-0	TABLE SUPPORT	2
6	WSP-0573-03-02-00-0	BEARING HOLDER SUPPORT	1
7	PKT-0573-03-08-00-0	KNOB	1
8	KLK-000111	DOWEL PIN 5n6x36	1
9	SRB-0573-03-07-00-0	BOLT	1
10	PKR-0436-03-06-00-0	COVER	1
11	NKR-000135	BEARING NUT M12x1	1
12	PDK-000179	BEARING TOOTHED WASHER MB-1	1
13	TLJ-0469-20-12-00-0	SCREW SPACER SLEEVE	1
14	LOZ-000062	BALL BEARING 12x32x10	1
15	OPR-0573-03-05-00-0	BEARING HOLDER	1
16	SRB-000106	HEX SOCKET HEAD CAP SCREW M6x16	2
17	SRB-000086	HEX SOCKET HEAD CAP SCREW M5x20	4
18	NKR-0573-03-06-00-0	NUT	1
19	BZA-0573-03-04-00-0	VERTICAL BASE PLATE	1
20	UCW-0573-03-03-00-0	HANDLE	2
21	SRB-000148	HEX SOCKET HEAD CAP SCREW M8x20	12
22	STL-0573-03-01-00-1	TABLE	1
23	PRT-0573-03-13-00-0	LOCKING ROD ASSY	1
24	PRW-000068	CARRIAGE	3
25	WSP-0573-03-09-00-0	GUIDE SUPPORT	3
26	KLK-000083	DOWEL PIN 6n6x18	8
27	SNA-000040	GUIDE	3
28	SRB-000083	HEX SOCKET HEAD CAP SCREW M5x16	22

This document is protected by copyrights.

Copying, using, or distributing without permission of JEI Group Ltd is prohibited.

ITEM	PART NUMBER	DESCRIPTION	Q-TY
29*	WSP-0573-03-10-00-1	LEFT VERTICAL BASE SUPPORT	1
30	WSP-0573-03-11-00-1	RIGHT VERTICAL BASE SUPPORT	1
31	BLD-0573-03-14-00-0	NUT LOCK	1
32	OSL-0573-03-15-00-0	NUT COVER	1
33	SRB-000117	HEX SOCKET HEAD CAP SCREW M6x25	4

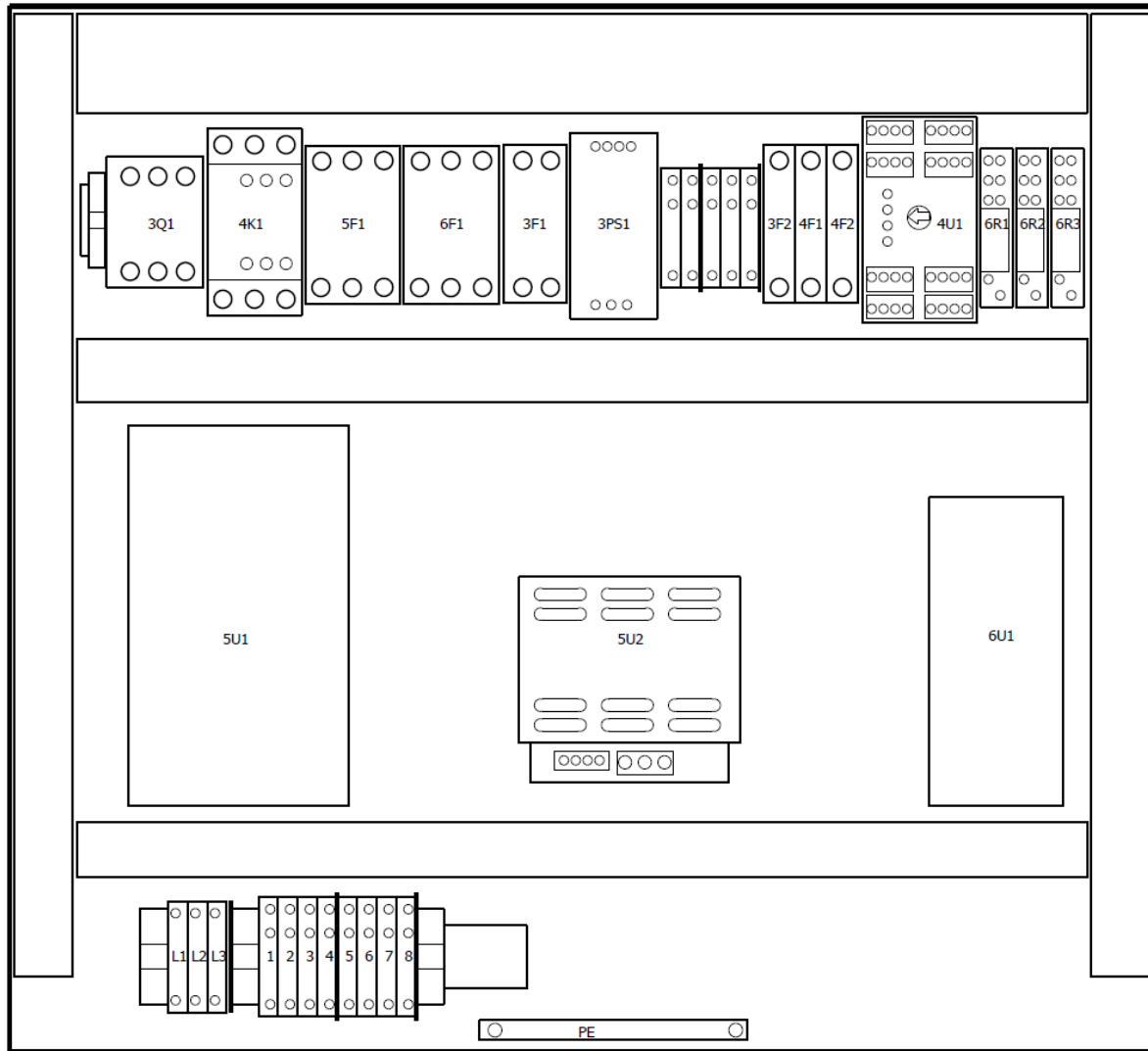
*not shown in the drawing



ITEM	PART NUMBER	DESCRIPTION	Q-TY
1	PRC-000029	EMERGENCY BUTTON	1
2	STK-000010	CONNECTOR	1
3	PRC-000042	GREEN BUTTON	1
4	PRC-000043	RED BUTTON	1
5	PTN-000038	POTENTIOMETER	2
6	PRC-000044	START-STOP BUTTON	2
7	PRP-000014	STRAIN RELIEF	3
8	NKR-000198	STRAIN RELIEF NUT M20x1.5	3
9	SZF-0573-05-01-00-0	CONTROL BOX	1
10	RZL-000017	3-GEAR DISCONNECTOR 40A	1
11	FLT-000011	AIR FILTER	2
12	NKR-000165	STRAIN RELIEF NUT M25x1.5	2
13	DLW-000045	CABLE GLAND M25x1.5	2

ITEM	PART NUMBER	DESCRIPTION	Q-TY
14	KBL-000173	CABLE	1
15	WTK-000032	MALE SOCKET	1
16*	KBL-0573-05-02-00-0	EMERGENCY BUTTON WIRE SET	1
17*	KBL-0573-05-03-00-0	TABLE EMERGENCY BUTTON WIRE SET	1

*not shown in the drawing



ITEM	PART NUMBER	DESCRIPTION	Q-TY
3Q1	RZL-000017	EMERGENCY STOP SWITCH DISCONNECTOR	1
3Q1	OSL-000255	COVER	1
4K1	STY-000010	CONTACTOR 32A	1
5F1	BZP-000041	CIRCUIT BREAKER C25	1
6F1	BZP-000031	CIRCUIT BREAKER C6	1
3F1	BZP-000027	CIRCUIT BREAKER C6	1
3PS1	ZSL-000027	POWER SUPPLY	1
3F2	BZP-000019	CIRCUIT BREAKER B1	1
4F1	BZP-000019	CIRCUIT BREAKER B1	1
4F2	BZP-000019	CIRCUIT BREAKER B1	1
4U1	PZK-000044	EMERGENCY STOP MODULE	1
6R1	PDS-000024	SOCKET	1
6R1	PZK-000030	RELAY 24VDC	1

ITEM	PART NUMBER	DESCRIPTION	Q-TY
6R2	PDS-000024	SOCKET	1
6R2	PZK-000030	RELAY 24VDC	1
6R3	PDS-000024	SOCKET	1
6R3	PZK-000030	RELAY 24VDC	1
5U1	PRZ-0573-99-00-00-0	SPINDLE FREQUENCY INVERTER 3x400V	1
5U2	MDL-000083	DYNAMIC BRAKING MODULE	1
6U1	PRZ-0573-99-02-00-0	FEED FREQUENCY INVERTER 3x400V	1