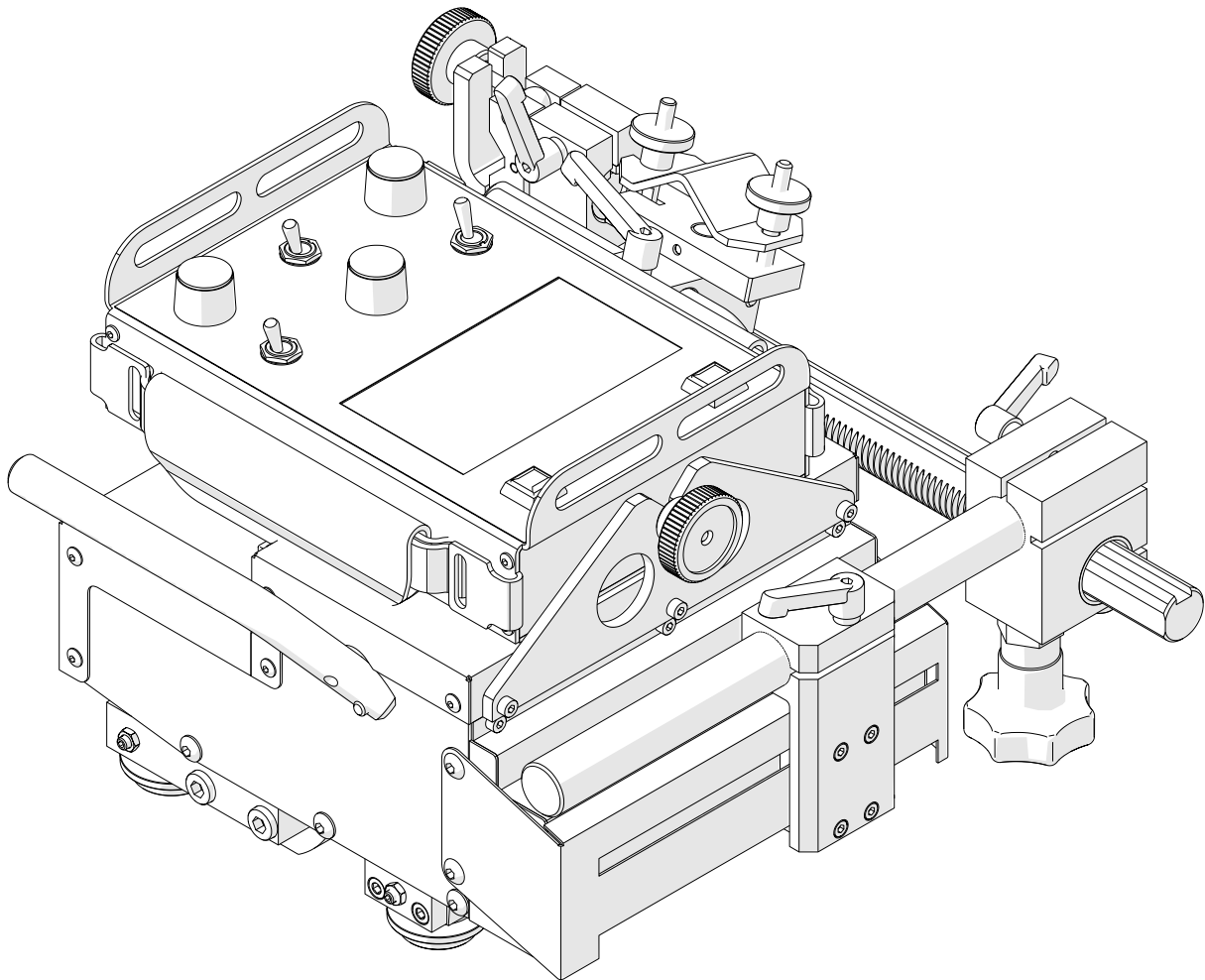
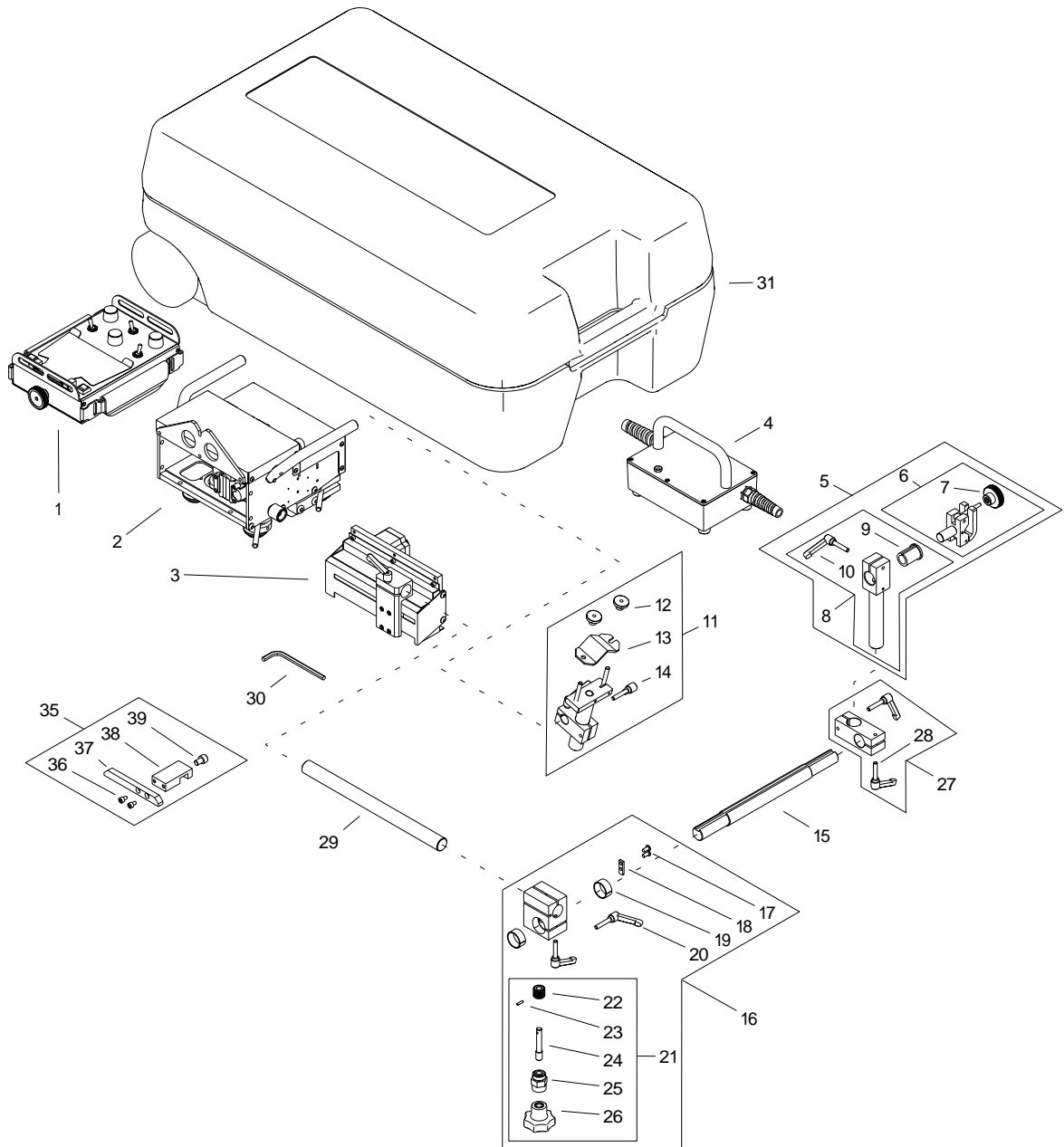


PARTS LIST

Rail Bull 2

WELDING CARRIAGE

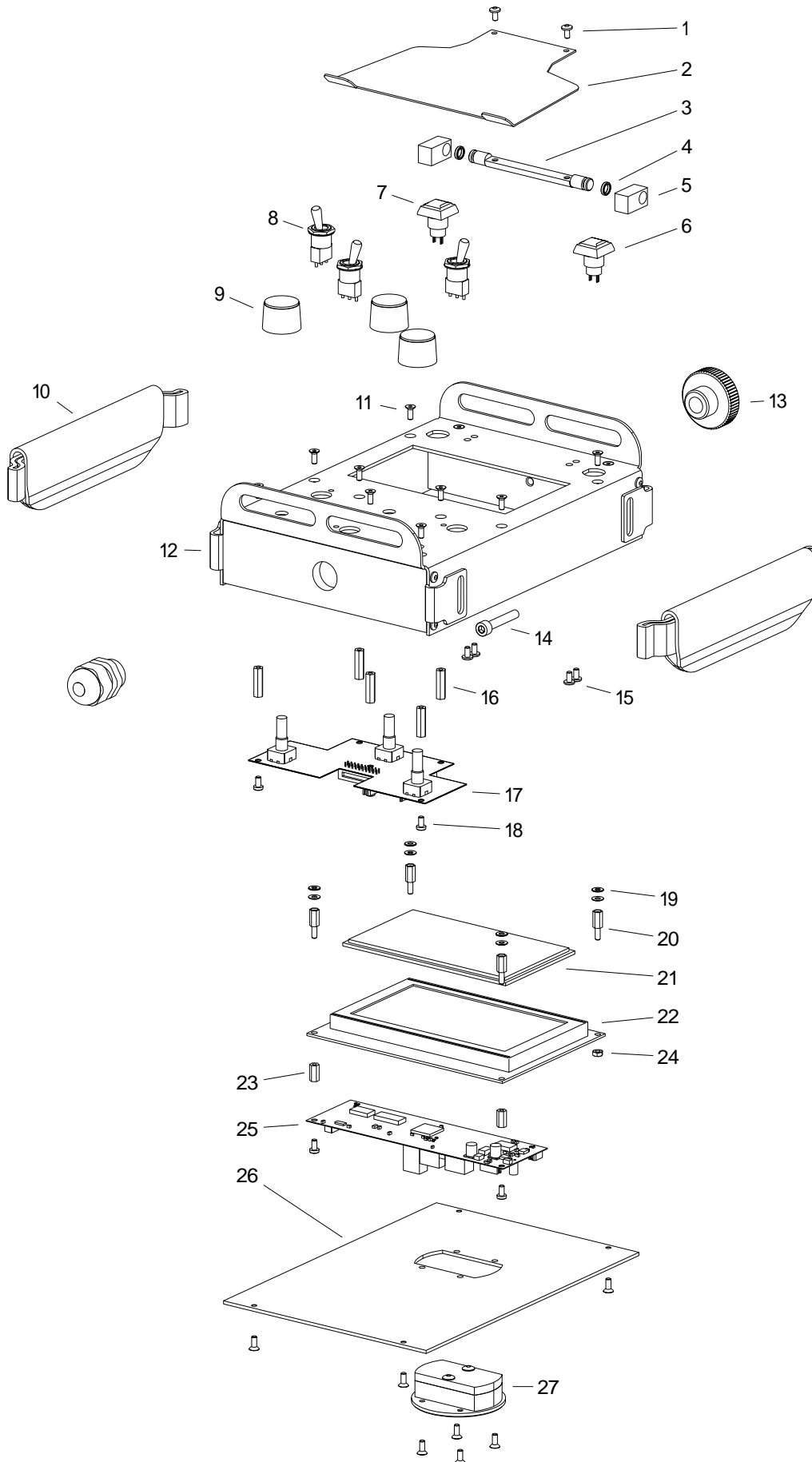




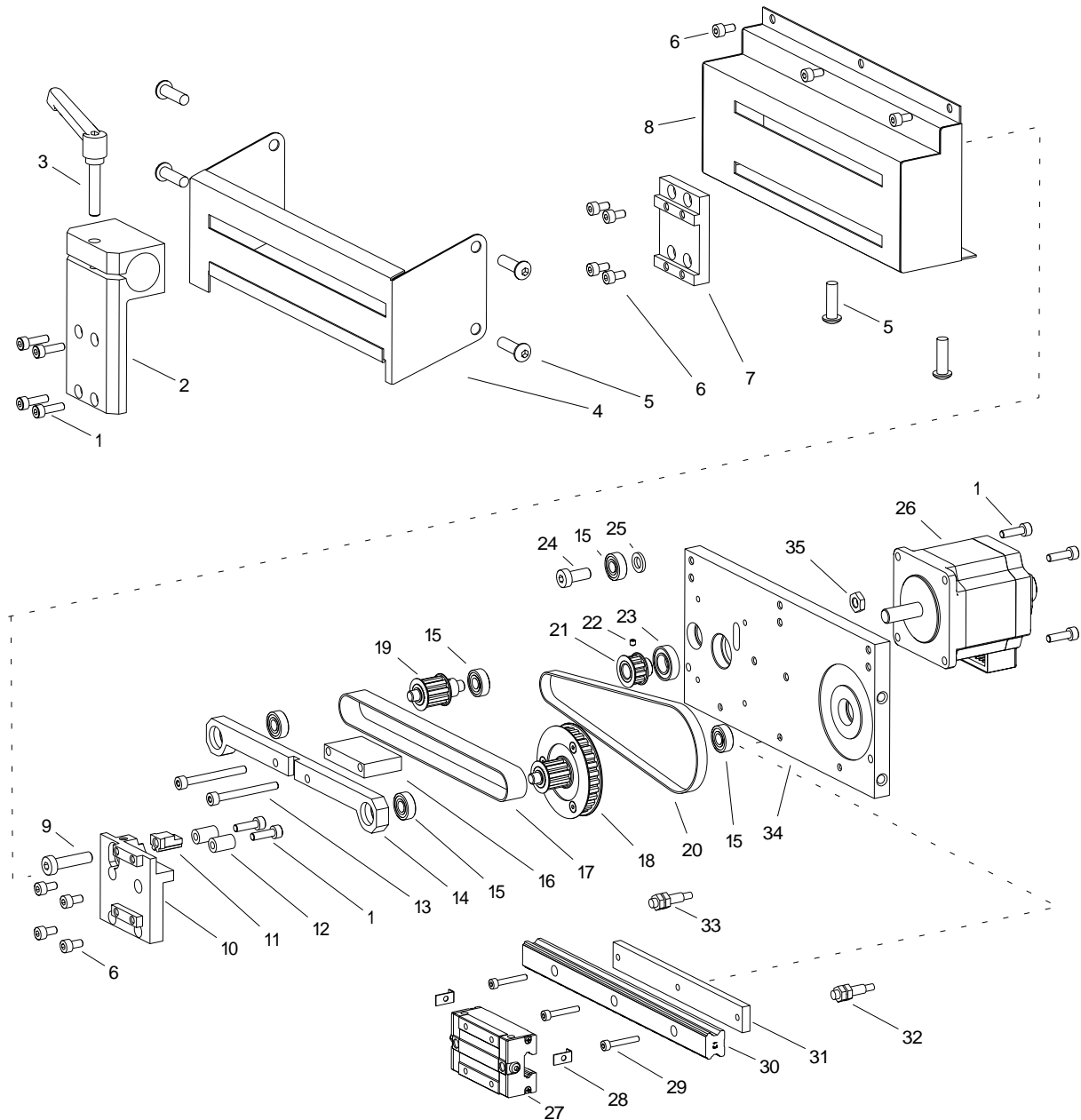
ITEM	PART NUMBER	DESCRIPTION	Q-TY
1	PNL-0523-03-00-00-1	REMOTE CONTROL	1
2	ZSP-0523-01-00-00-0	DRIVE SYSTEM ASSY	1
3	OSC-0523-02-00-00-0	OSCILLATOR	1
4	ZSL-0523-97-00-00-0	POWER SUPPLY – 230V	1
4	ZSL-0523-97-00-01-0	POWER SUPPLY – 115V	1
4	ZSL-0523-97-00-02-0	POWER SUPPLY – 42V	1
5	UCW-0476-20-00-00-0	SHORT ROD TORCH HOLDER ASSY	1
6	ZRZ-0466-04-01-00-0	TORCH CLAMP ASSY	1
7	PKT-0466-04-01-10-0	KNOB	1
8	WLK-0476-20-01-00-0	SHORT ROD ASSY	1
9	TLJ-0419-04-02-03-0	INSULATION SLEEVE	1
10	RKJ-000036	HANDLEVER M6-32	1
11	UCW-0523-05-01-00-0	CABLE ANCHOR	1
12	NKR-000121	KNURLED NUT M6	2
13	TRM-0219-06-16-00-0	CLAMP PLATE	1

ITEM	PART NUMBER	DESCRIPTION	Q-TY
14	RKJ-000036	HANDLEVER M6-32	2
15	RAM-0523-17-00-00-0	300 MM (12") GEARED RACK	1
16	ZSP-0475-62-00-00-0	SLIDE	1
17	WKR-000096	HEX SOCKET BUTTON HEAD SCREW M5x10	2
18	WPS-0475-62-03-00-0	KEY	1
19	TLJ-0475-62-04-00-0	SELF-LUBRICATING SLEEVE 25x28x12	2
20	RKJ-000036	HANDLEVER M6-32	2
21	PKT-0475-62-02-00-0	KNOB	1
22	KOL-0475-62-02-03-0	GEAR z16	1
23	KLK-000004	SPRING PIN 3x12	1
24	OSK-0475-62-02-02-0	PIVOT PIN	1
25	ZLC-0475-62-02-01-0	THREAD JOINT	1
26	PKT-000039	KNOB D50xM10	1
27	KST-0525-11-00-00-0	DOUBLE CLAMPING BLOCK	1
28	RKJ-000036	HANDLEVER M6-32	2
29	WSP-0523-16-00-00-0	300 MM (12") ROD	1
30	KLC-000009	6 MM HEX WRENCH	1
31	SKR-0523-99-03-00-0	PLASTIC BOX ASSY	1
32*	PWD-0523-10-03-00-0	POWER CABLE L=5 M (16.5 ft)	1
33*	KBL-0466-17-00-00-0	ARC IGNITION WIRE SET L=6.5 M (21 ft)	1
34*	PWD-0523-10-01-00-0	REMOTE CONTROL CABLE L=3 M (10 ft)	1
35	ZDR-0523-76-00-00-0	CONTACT BLOCK ASSY	1
36	SRB-000098	HEX SOCKET HEAD CAP SCREW M5x8	2
37	ZDR-0523-76-02-00-0	CONTACT BLOCK	1
38	UCW-0523-76-01-00-0	CONTACT BLOCK HOLDER	1
39	SRB-000140	HEX SOCKET HEAD CAP SCREW M8x12	1

*not shown in the drawing



ITEM	PART NUMBER	DESCRIPTION	Q-TY
1	WKR-000286	HEX SOCKET BUTTON HEAD SCREW M3x6	2
2	OSL-0523-03-14-00-0	PANEL COVER	1
3	OSK-0523-03-16-00-0	HINGE PIVOT	1
4	PRS-000111	O-RING 5x1.5	2
5	ZWS-0523-03-15-00-0	HINGE	2
6	WZK-0523-03-13-00-0	BUTTON WIRE SET	1
7	WZK-0523-03-13-00-0	BUTTON WIRE SET	1
8	WZK-0526-02-02-03-0	TRAVEL DIRECTION SWITCH WIRE SET	3
9	PKT-0496-99-07-00-0	KNOB ASSY	3
10	RKJ-0523-03-12-00-1	HANDLE	2
11	WKR-000398	HEX SOCKET COUNTERSUNK HEAD SCREW M3x8	17
12	KRP-0523-03-02-00-1	REMOTE CONTROL BODY ASSY	1
13	PKT-0466-04-01-11-0	TORCH CLAMP KNOB	1
14	SRB-000089	HEX SOCKET HEAD CAP SCREW M5x30	1
15	WKR-000286	HEX SOCKET BUTTON HEAD SCREW M3x6	4
16	TLJ-000090	SLEEVE L=18xM3	5
17	MDL-0523-03-10-00-0	ENCODER MODULE ASSY	1
18	WKR-000181	CROSS RECESSED PAN HEAD SCREW M3x6	7
19	PDK-000013	ROUND WASHER 3.2	8
20	TLJ-000051	HEX SLEEVE	4
21	OSL-0523-03-09-00-0	DISPLAY COVER	1
22	MDL-0523-03-03-00-0	PANEL MODULE	1
23	TLJ-000023	SLEEVE M3x10	2
24	NKR-000009	HEX NUT M3	2
25	MDL-0523-03-11-00-0	CONTROLLER MODULE	1
26	PLY-0523-03-01-00-0	BOTTOM PLATE	1
27	CHW-0523-03-07-00-0	PANEL MAGNET HOLDER	1

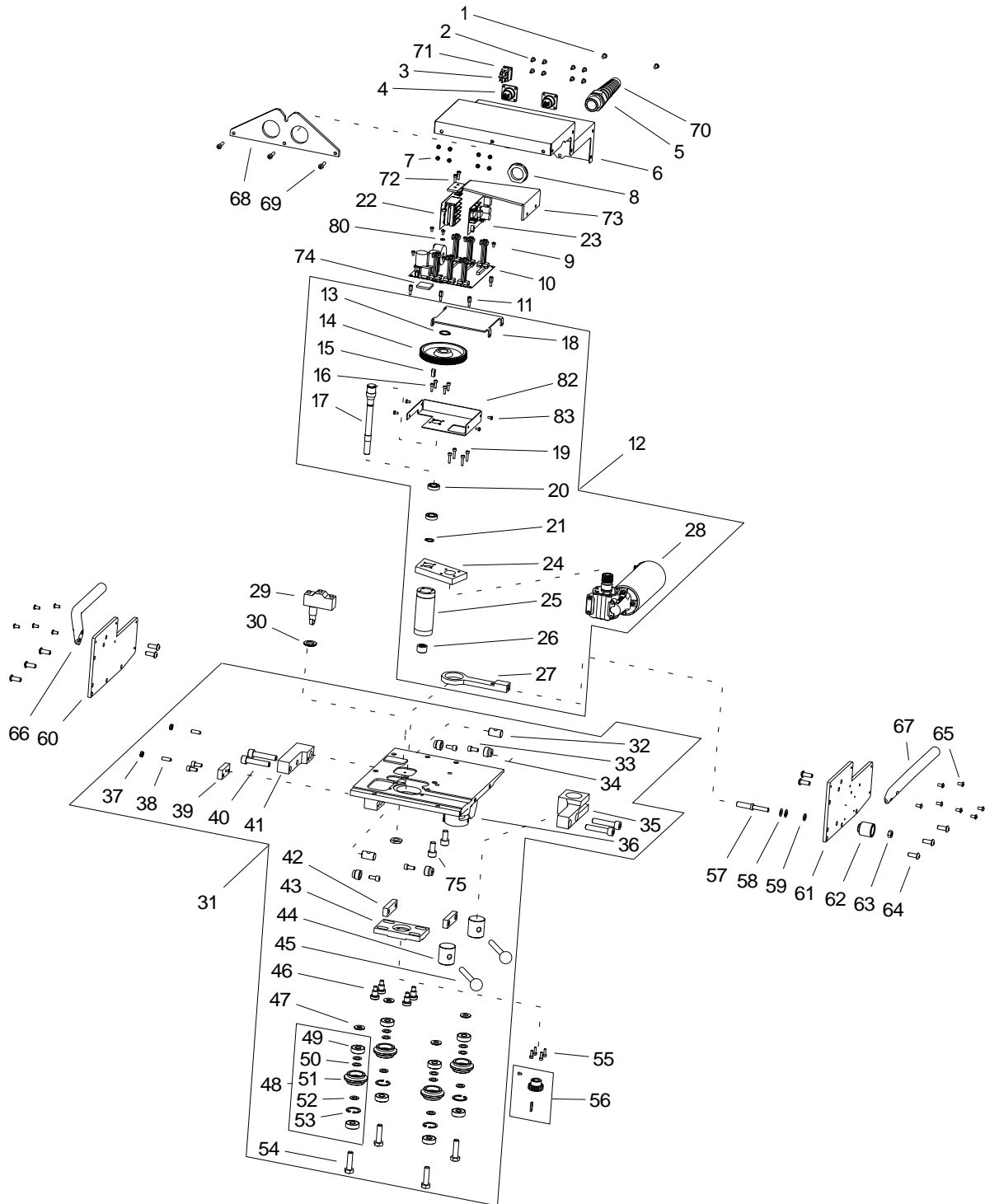


ITEM	PART NUMBER	DESCRIPTION	Q-TY
1	SRB-000063	HEX SOCKET HEAD CAP SCREW M4x14	10
2	UCW-0523-02-07-00-0	OSCILLATOR HOLDER	1
3	RKJ-000036	HANDLEVER M6-32	1
4	OSL-0523-02-10-00-1	SECONDARY COVER	1
5	WKR-000102	HEX SOCKET ROUND HEAD SCREW WITH FLANGE M6x20	6
6	SRB-000074	HEX SOCKET HEAD CAP SCREW M4x8	11
7	PLY-0523-02-17-00-0	INTERMEDIATE PLATE	1
8	OSL-0523-02-05-00-0	OSCILLATOR COVER ASSY	1
9	SRB-000174	HEX SOCKET LOW HEAD BOLT M5x16	1
10	PLY-0523-02-04-00-0	MOUNTING PLATE	1
11	DCS-0523-02-19-00-0	BELT TENSIONER	1
12	UCW-0523-02-09-00-0	BELT HOLDER	2
13	SRB-000067	HEX SOCKET HEAD CAP SCREW M4x40	2

This document is protected by copyrights.

Copying, using, or distributing without permission of JEI Group Ltd is prohibited.

ITEM	PART NUMBER	DESCRIPTION	Q-TY
14	WSP-0523-02-06-00-0	BEARING BRACKET	1
15	LOZ-000110	BALL BEARING 6x15x5	5
16	DYS-0523-02-08-00-0	SPACER I	1
17	PAS-000009	TOOTHED BELT 140 XL 050	1
18	KOL-0523-02-03-00-0	DRIVEN GEAR ASSY	1
19	WLK-0523-02-15-00-0	PINION ASSY	1
20	PAS-000012	TOOTHED BELT 140 XL 025	1
21	KOL-0523-02-02-00-0	MOTOR GEAR ASSY	1
22	WKR-000484	HEX SOCKET SET SCREW WITH FLAT POINT M3x3	1
23	LOZ-000123	BALL BEARING 10x19x5	1
24	SRB-000175	LOW HEAD SOCKET CAP SCREW M6x12	1
25	PDK-000155	SMALL ROUND WASHER 6.4	1
26	SLN-0523-02-12-00-0	MOTOR	1
27	PRW-000066	CARRIAGE	1
28	ZDR-0523-02-11-00-0	BUMPER	2
29	SRB-000377	HEX SOCKET HEAD CAP SCREW M3x20	3
30	PRW-000067	LINEAR GUIDE	1
31	DYS-0523-02-16-00-0	SPACER II	1
32	WZK-0523-02-13-00-0	LEFT LIMIT SWITCH WIRE SET	1
33	WZK-0523-02-14-00-0	RIGHT LIMIT SWITCH WIRE SET	1
34	PLY-0523-02-01-00-0	OSCILLATOR PLATE	1
35	NKR-000035	NUT SHORT M6	1



ITEM	PART NUMBER	DESCRIPTION	Q-TY
1	WKR-000091	HEX SOCKET BUTTON HEAD SCREW M4x8	2
2	WKR-000313	HEX SOCKET BUTTON HEAD SCREW M3x8	8
3	PNK-000059	POWER SWITCH	1
4	GNZ-000053	FEMALE SOCKET 6-PIN	2
5	DLW-000042	CABLE GLAND WITH STRAIN RELIEF	1
6	OSL-0523-01-05-01-0	TOP COVER	1
7	NKR-000010	HEX NUT M3	8
8	NKR-000163	GLAND NUT PG16	1
9	WKR-000180	CROSS RECESSED PAN HEAD SCREW M3x5	7

This document is protected by copyrights.

Copying, using, or distributing without permission of JEI Group Ltd is prohibited.

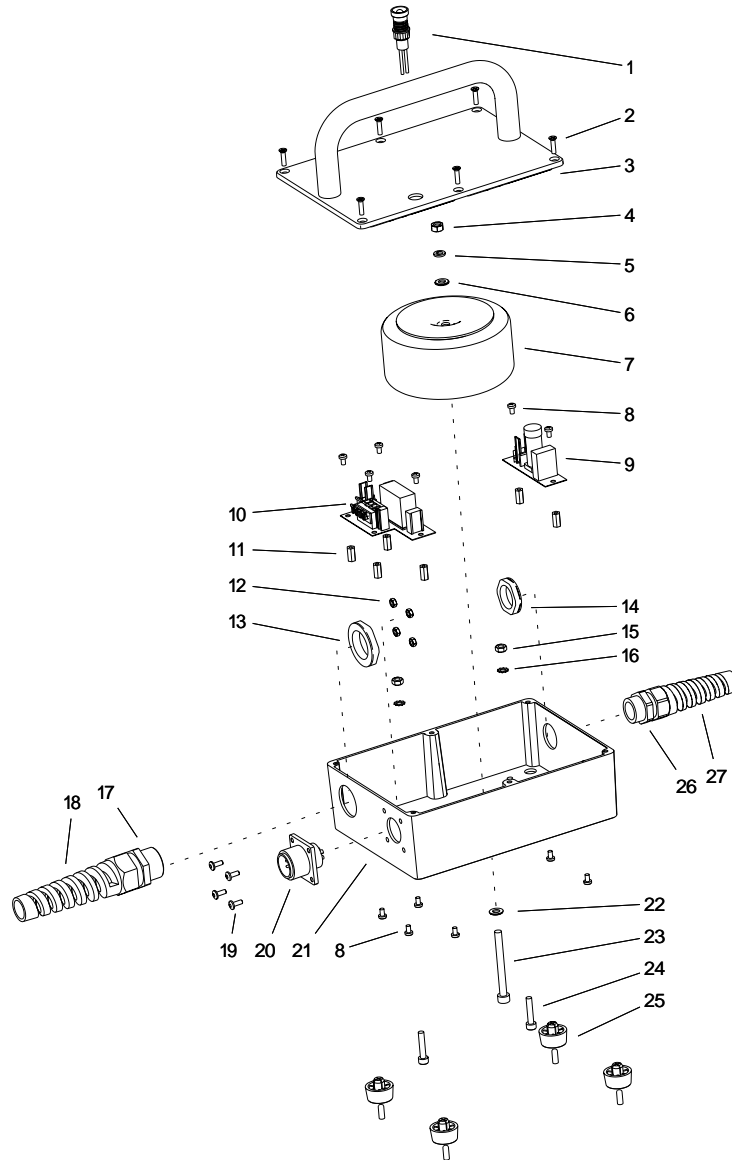
ITEM	PART NUMBER	DESCRIPTION	Q-TY
10	MDL-0523-01-07-00-2	POWER SUPPLY MODULE	1
11	TLJ-000060	SLEEVE M3/8	6
12	ZSP-0523-01-02-00-0	DRIVE SYSTEM	1
13	PRS-000004	EXTERNAL RETAINING RING 14z	1
14	KOL-0523-01-02-03-0	LARGE GEAR	1
15	WPS-000009	KEY 5x5x12	1
16	SRB-000310	HEX SOCKET HEAD CAP SCREW M3x10	4
17	WLK-0523-01-02-04-0	DRIVE SHAFT	1
18	OSL-0523-01-02-09-0	TOP GEAR COVER	1
19	SRB-000336	HEX SOCKET HEAD CAP SCREW M3x14	4
20	LOZ-000123	BALL BEARING	2
21	PRS-000002	EXTERNAL RETAINING RING 10z	1
22	MDL-0523-01-09-00-1	LINEAR OSCILLATION MODULE	1
23	MDL-0523-01-08-00-0	DRIVE MODULE	1
24	PLY-0523-01-02-01-0	TOP PLATE	1
25	KRP-0523-01-02-02-0	SHAFT BODY	1
26	LOZ-000009	NEEDLE BEARING 10x16x10	1
27	WDZ-0523-01-02-05-0	PISTON ROD	1
28	MTR-0523-99-01-00-0	MOTOR ASSY	1
29	MKP-000003	LIMIT SWITCH WIRE SET	1
30	PDK-000104	SMALL ROUND WASHER 13	1
31	PDW-0523-01-01-00-0	CHASSIS	1
32	NKR-0523-01-01-09-0	NUT	2
33	SRB-000078	HEX SOCKET HEAD CAP SCREW M5x12	6
34	ZDR-0523-01-01-08-0	BUMPER	4
35	WSP-0523-01-01-04-0	RIGHT BRACKET	1
36	KRP-0523-01-01-01-0	CHASSIS BODY	1
37	NKR-000034	NUT M5 SHORT	2
38	WKR-000077	HEX SOCKET SET SCREW WITH FLAT POINT M5x16	2
39	PLY-0523-01-01-02-0	RESISTING PLATE	1
40	SRB-000158	HEX SOCKET HEAD CAP SCREW M8x40	4
41	WSP-0523-01-01-05-0	LEFT BRACKET	1
42	NKR-0523-01-01-06-0	SPECIAL NUT	2
43	PLY-0523-01-01-07-0	BOTTOM PLATE	1
44	MMS-0523-01-01-03-0	ECCENTRIC	2
45	DZW-0523-99-07-00-0	HANDLE	2
46	SRB-0341-02-10-00-0	MOUNTING SCREW	4
47	PDK-000022	ROUND WASHER 8.4	4
48	RLK-0341-01-02-00-0	PRESSURE ROLLER ASSY	1
49	LOZ-000053	BALL BEARING 8x22x7	8
50	PDK-000174	WASHER 8x14x0.1	8
51	RLK-0341-01-02-01-0	PRESSURE ROLLER	4
52	PDK-000173	SPACER WASHER 8x14x1	4
53	PRS-000014	INTERNAL RETAINING RING 22w	4
54	SRB-000030	FULL THREAD HEX HEAD BOLT M8x30	4
55	SRB-000310	HEX SOCKET HEAD CAP SCREW M3x10	4
56	ZST-0341-99-01-00-0	GEAR ASSY	1
57	SRB-0523-01-03-03-0	FEED SCREW	1
58	SPR-000010	DISC SPRING 6.2x12.5x0.6	2
59	PDK-000155	SMALL ROUND WASHER 6.4	1
60	PLY-0523-01-04-01-0	RIGHT SIDE PLATE	1
61	PLY-0523-01-03-01-0	LEFT SIDE PLATE	1

This document is protected by copyrights.

Copying, using, or distributing without permission of JEI Group Ltd is prohibited.

ITEM	PART NUMBER	DESCRIPTION	Q-TY
62	PKT-0341-02-08-00-0	KNOB	1
63	NKR-000017	HEX NUT M6	1
64	WKR-000101	HEX SOCKET BUTTON HEAD SCREW M6x16	10
65	WKR-000091	HEX SOCKET BUTTON HEAD SCREW M4x8	12
66	RKJ-0523-01-04-02-0	RIGHT HANDLE	1
67	RKJ-0523-01-03-02-0	LEFT HANDLE	1
68	UCW-0523-15-00-00-0	PANEL HOLDER	1
69	SRB-000064	HEX SOCKET HEAD CAP SCREW M4x16	3
70	WZK-0523-01-05-02-0	POWER WIRE SET	1
71	WZK-0523-01-05-05-0	POWER SWITCH WIRE SET	1
72	SRB-000310	HEX SOCKET HEAD CAP SCREW M3x10	2
73	RDT-0523-01-09-04-0	RADIATOR 2	1
74	PDK-0523-01-11-00-0	THERMAL WASHER	1
75	SRB-000142	HEX SOCKET HEAD CAP SCREW M8x16	2
76*	WZK-0523-01-05-03-0	SIGNAL WIRE SET CAN I	1
77*	WZK-0523-01-05-04-0	SIGNAL WIRE SET CAN II	1
78*	WZK-0523-01-06-00-0	LIMIT SWITCH WIRE SET	1
79*	BZP-000054	BLADE FUSE 7.5A	1
80	PDK-000013	ROUND WASHER 3.2	1
81*	WZK-0523-01-10-00-0	ARC IGNITION WIRE SET	1
82	OSL-0523-01-02-08-0	BOTTOM GEAR COVER	1
83	WKR-000180	CROSS RECESSED PAN HEAD SCREW M3x5	4

*not shown in the drawing



ITEM	PART NUMBER	DESCRIPTION	Q-TY
1	WZK-0523-09-10-00-0	LED WIRE	1
2	WKR-000147	CROSS RECESSED COUNTERSUNK HEAD SCREW M3x12	1
3	PKR-0523-09-02-00-0	LID	1
4	NKR-000015	HEX NUT M5	1
5	PDK-000044	SPRING WASHER 5.1	1
6	PDK-000017	ROUND WASHER 5.3	1
7	WZK-0523-09-09-00-0	TOROID TRANSFORMER WIRE SET	1
7	WZK-0523-09-11-00-0	TOROID TRANSFORMER WIRE SET – 42V	1
8	WKR-000180	CROSS RECESSED PAN HEAD SCREW M3x5	12
9	MDL-0523-09-04-01-1	PRIMARY SIDE MODULE – 230V	1
9	MDL-0523-09-04-02-1	PRIMARY SIDE MODULE – 115V	1
9	MDL-0523-09-04-03-1	PRIMARY SIDE MODULE – 42V	1
10	MDL-0523-09-05-00-1	SECONDARY SIDE MODULE	1
11	TLJ-000023	SLEEVE M3x10	6
12	NKR-000010	HEX NUT M3	4
13	NKR-000163	STRAIN RELIEF NUT PG16	1
14	NKR-000040	STRAIN RELIEF NUT PG11	1

This document is protected by copyrights.

Copying, using, or distributing without permission of JEI Group Ltd is prohibited.

ITEM	PART NUMBER	DESCRIPTION	Q-TY
15	NKR-000013	HEX NUT M4	2
16	PDK-000060	EXTERNAL TOOTH LOCK WASHER 4.3	2
17	WZK-0523-09-08-00-0	SECONDARY SIDE WIRE SET	1
18	DLW-000042	CABLE GLAND WITH STRAIN RELIEF PG16	1
19	WKR-000313	HEX SOCKET BUTTON HEAD SCREW M3x8	4
20	WZK-0523-09-07-00-1	ARC IGNITION WIRE SET	1
21	KRP-0523-09-01-00-0	BODY	1
22	PDK-000017	ROUND WASHER 5.3	1
23	SRB-000094	HEX SOCKET HEAD CAP SCREW M5x50	1
24	SRB-000323	HEX SOCKET HEAD CAP SCREW M4x20	2
25	STP-000005	BRACKET 20	4
26	PWD-0461-17-00-00-0	POWER CORD - 230V	1
26	PWD-0461-17-00-00-1	POWER CORD - 115V	1
26	WZK-0523-09-06-03-0	PRIMARY SIDE WIRE SET - 42V	1
26	PWD-0461-17-00-00-2	POWER CORD - 230V - AU	1
26	PWD-0461-17-00-00-3	POWER CORD - 230V - INDIA	1
26	PWD-0461-17-00-00-4	POWER CORD - 230V – TYPE G	1
27	DLW-000007	CABLE GLAND WITH STRAIN RELIEF PG11	1
28*	BZP-000057	CERAMIC FUSE 5x20 T2A – 230V	1
28*	BZP-000058	CERAMIC FUSE 5x20 T4A – 115V	1
28*	BZP-000059	CERAMIC FUSE 5x20 6.3A – 42V	1