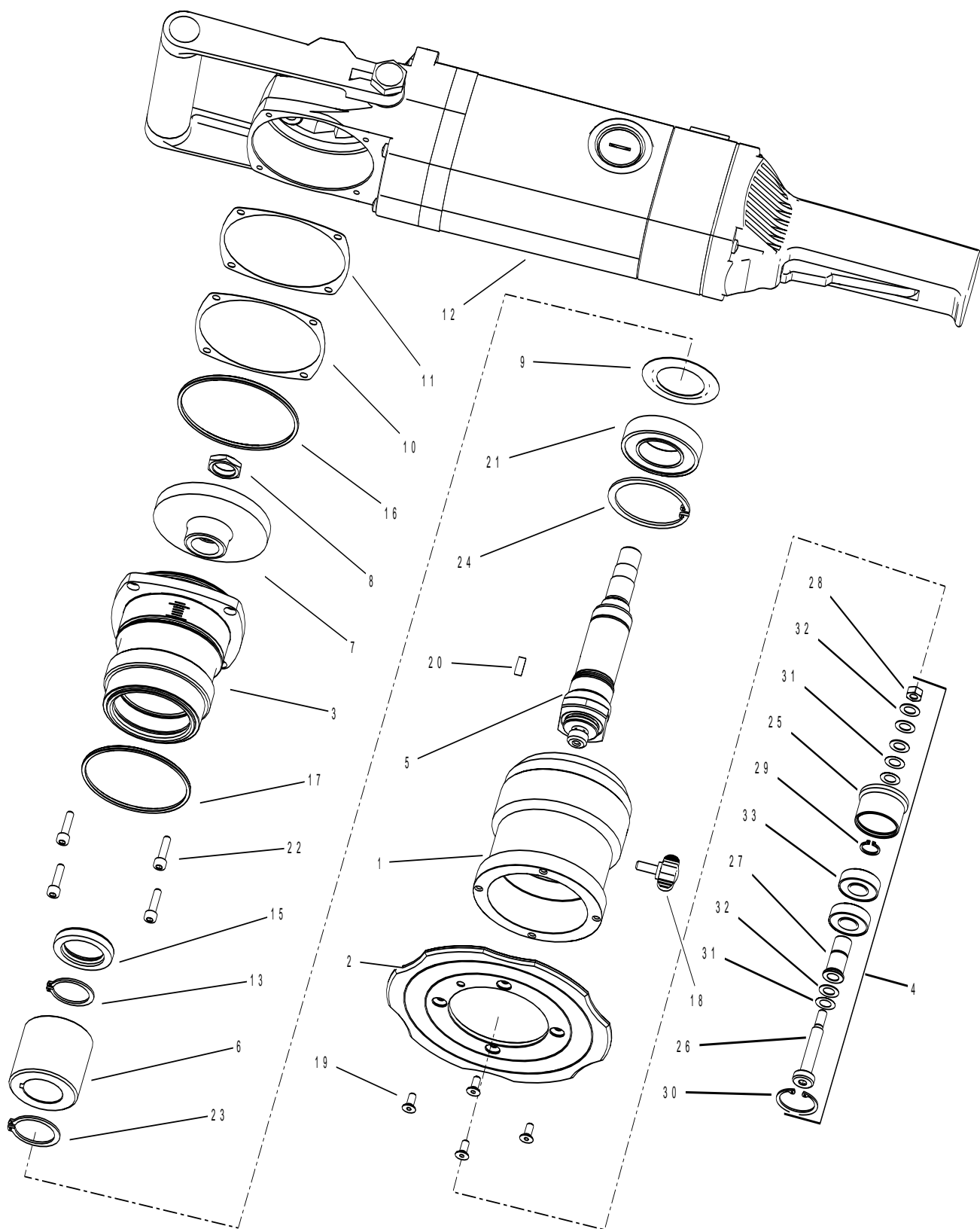
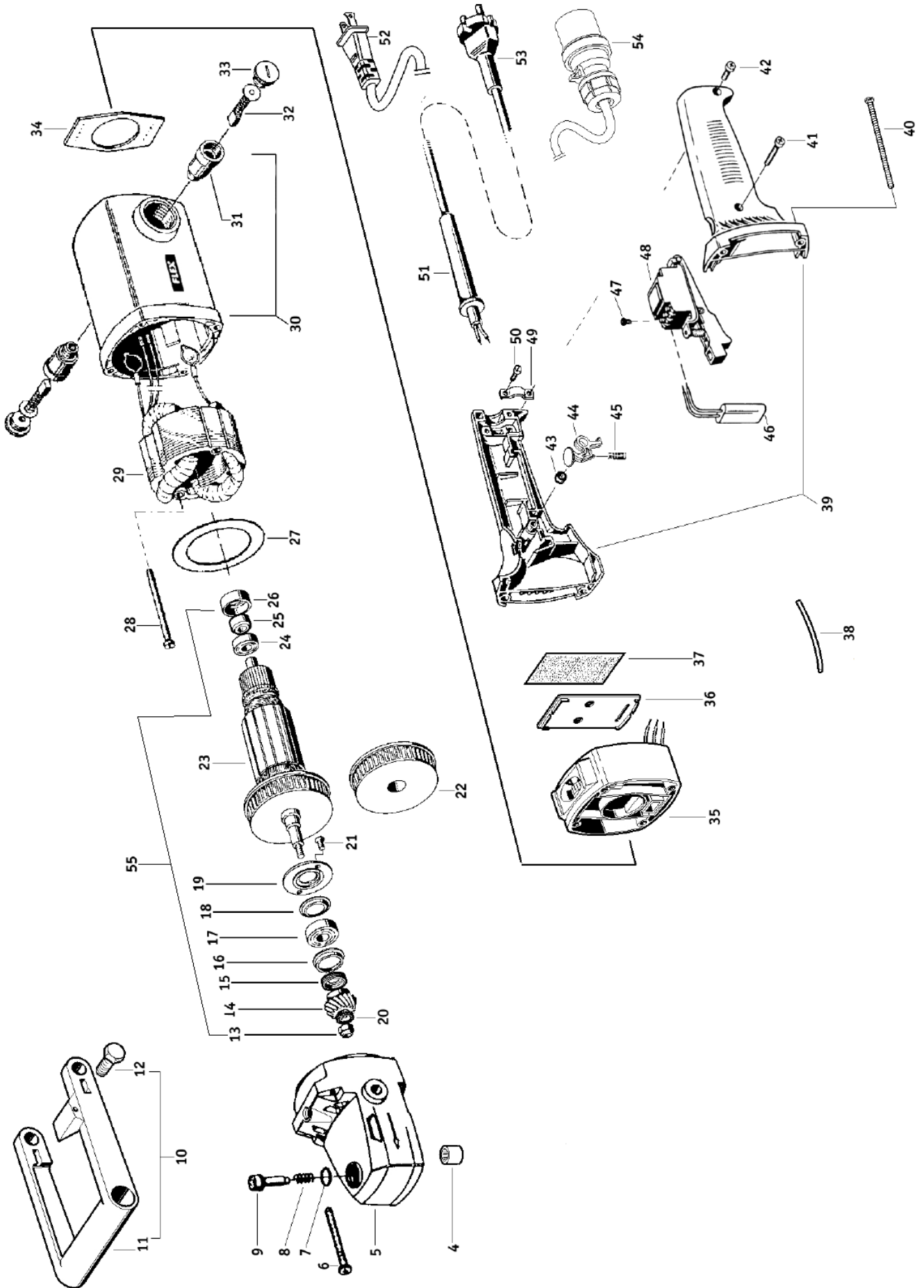


ITEM	PART NUMBER	DESCRIPTION	Q-TY
1	BM16-TB1	32 MM SPECIAL FLAT WRENCH	1
2	BM16-TB2	14 MM HEX WRENCH	1
3	BM16-TB3	5 MM HEX WRENCH	1
4	BM16-TB4	GREASE FOR SCREWS	1
5	BM16-TB5	METAL BOX	1
-	BM15CMH30	MILLING HEAD 30°	1
-	BM15CMG45	MILLING HEAD 45°	1
-	BM15CMH60	MILLING HEAD 60°	1
-	BM15CMH55	MILLING HEAD 55°	1
-	BM15CMH37.5	MILLING HEAD 37.5°	1
-	BM15CMH22.5	MILLING HEAD 22.5°	1
-	BM16CMH20	MILLING HEAD 20°	1
-	BM16CMH50	MILLING HEAD 50°	1
-	BM16CMH65	MILLING HEAD 65°	1
-	BM16CMH27.5	MILLING HEAD 27.5°	1
-	BM16CMH40	MILLING HEAD 40°	1
-	BM15IS	BEVELING INSERT FOR STEEL	5
-	BM15IA	BEVELING INSERT FOR ALUMINIUM	5
-	BM15BMHS	MOUNTING SCREW FOR BEVELING INSERT	5
-	BM15CMHR	RADIUS MILLING HEAD	1
-	BM15IR3	RADIUS INSERT R3	4
-	BM15IR4	RADIUS INSERT R4	4
-	BM15IR5	RADIUS INSERT R5	4
-	BM15RMHS	MOUNTING SCREW FOR RADIUS INSERT	4

- optional



ITEM	PART NUMBER	DESCRIPTION	Q-TY
1	BM16-1	SLIDING SLEEVE	1
2	BM16-2	GUIDE	1
3	BM16-3	SPINDLE SLEEVE	1
4	BM16-12	GUIDING ROLLER ASSY	1
5	BM16-5	SPINDLE	1
6	BM16-6	DISTANCE SLEEVE	1
7	BM16-7	BEVER GEAR z=53	1
8	BM16-8	LOCKING NUT	1
9	BM16-9	BEARING COVER	1
10	BM16-10	DISTANCE WASHER 0,2	1
11	BM16-11	DISTANCE WASHER 0,3	1
12	N/A	MOTOR ASSY 110V (US)	1
12	BM16-24/2	MOTOR ASSY 230V	1
12	BM16-24	MOTOR ASSY 110V	1
13	MB4-14	EXTERNAL RETAINING RING 28z	1
15	BM16-15	SEAL A-RING 28x42x7	1
16	BM16-16	SEAL O-RING 80x3	1
17	BM16-17	SEAL O-RING 72x3	1
18	BM16-18	HAND LEVER	1
19	BM16-19	SCR, M5x12 FHSCS	4
20	BM16-20	KEY 5x5x14	1
21	BM16-21	LOWER SPINDLE BEARING 6006 2z 30x55x13	1
22	BM16-22	HEX SOCKET BOLT M5x20	4
23	MB2.2.2.8	EXTERNAL RETAINING RING 30z	1
24	BM16-23	INTERNAL RETAINING RING 55w	1
25	BM16-25A	ROLLER	1
26	BM16-26A	ROLLER PIVOT	1
27	BM16-27A	ROLLER SLEEVE	1
28	070308	HEX. NUT M6	1
29	BM16-27	EXTERNAL RETAINING RING 12z	1
30	BM16-25	INTERNAL RETAINING RING 28w	1
31	BM16-31	WASHER 8x14x0,1	3
32	BM16-32	WASHER 8x14x0.5	4
33	BM16-26	BALL BEARING 6001 2Z 12x28x8	2



BM16-24/2		MOTOR ASSY 230V	
BM16-24		MOTOR ASSY 110V	
ITEM	PART NUMBER	DESCRIPTION	Q-TY
4	BM16-24.4	SLIDE SLEEVE HK 1512	1
5	BM16-24.5	GEAR BODY	1
6	BM16-24.6	HEAD SCREW TX25 M5x45	4
7	BM16-24.7	SEALING RING 18W	1
8	BM16-24.8	SPRING	1
9	BM16-24.9	SPINDLE LOCK PIVOT	1
10	BM16-24.10	FRONT HANDLE COMPLETE	1
11	BM16-24.11	FRONT HANDLE	1
12	BM16-24.12	FULLY THREADED HEX CAP SCREW M14x25	2
13	BM16-24.13	NUT M8x1 DIN 936	1
14	BM16-24.14	BEVEL GEAR MZ 1.5x12	1
15	BM16-24.15	DISTANCE	1
16	BM16-24.16	SEALING	1
17	BM16-24.17	SEALED BALL BEARING 6202-2RSLTN9/LHT23	1
18	BM16-24.18	SEALING 6003JV	1
19	BM16-24.19	COVER	1
20	BM16-24.20	WASHER NL8	1
21	BM16-24.21	HEX SOCKET COUNTERSUNK HEAD SCREW M5x16	2
22	BM16-24.22	FAN	1
23	BM16-24.23/2	ROTOR 230V	1
23	BM16-24.23	ROTOR 110V	1
24	BM16-24.24	BEARING 6001-2RSLTN9/C3LH	1
25	BM16-24.25	MAGNETIC RING	1
26	BM16-24.26	BEARING	1
27	BM16-24.27	STATOR GUARD 230/CEE	1
28	BM16-24.28	SCREW KT-KT 5x74	2
29	BM16-24.29/2	FIELD 230V	1
29	BM16-24.29	FIELD 110V	1
30	BM16-24.30/2	FIELD HOUSING 230V	1
30	BM16-24.30	FIELD HOUSING 110V	1
31	BM16-24.31/2	BRUSH HOLDER 230V	2
31	BM16-24.31	BRUSH HOLDER 110V	2
32	BM16-24.32/2	BRUSH 230V	2
32	BM16-24.32	BRUSH 110V	2
33	BM16-24.33	BRUSH HOLDER COVER	2
34	BM16-24.34	HANDLE COVER SB	1
35	BM16-24.35/2	ROTATIONAL SPEED CONTROLLER UNIT 230V	1
35	BM16-24.35	ROTATIONAL SPEED CONTROLLER UNIT 110V	1
36	BM16-24.36	CONTROLLER BODY COVER	1
37	BM16-24.37	INSULATION WASHER	1
38	BM16-24.38	WIRE SHIELD GF	1
39	BM16-24.39	HANDLE BODY	1
40	BM16-24.40	SCREW KT-KT 5x74	4
41	BM16-24.41	SCREW KT-KT 4x30	1
42	BM16-24.42	SCREW KT-KT 4x20	1
43	BM16-24.43	LOCK SLEEVE	1
44	BM16-24.44	SWITCH LOCK	1
45	BM16-24.45	SPRING	1
46	BM16-24.46	CAPACITOR X2 0.22uF	1

BM16-24/2		MOTOR ASSY 230V	
BM16-24		MOTOR ASSY 110V	
ITEM	PART NUMBER	DESCRIPTION	Q-TY
47	BM16-24.47	SCREW M3.5x7 DK4.1	1
48	BM16-24.48	SWITCH	1
49	BM16-24.49	WIRE BRACKET PA6	1
50	BM16-24.50	SCREW KT-KT 4x20	2
51	BM16-24.51	WIRE SHIELD fi9	1
51	BM16-24.51	WIRE SHIELD fi11	1
53	BM16-24.53	POWER CORD H07RN-F 2x1Qx4M	1
54	BM16-24.54	POWER CORD WITH PLUG BS 4343	1
55	BM16-24.55	ARMATURE - 120V	1
55	BM16-24.56	ARMATURE - 230V	1